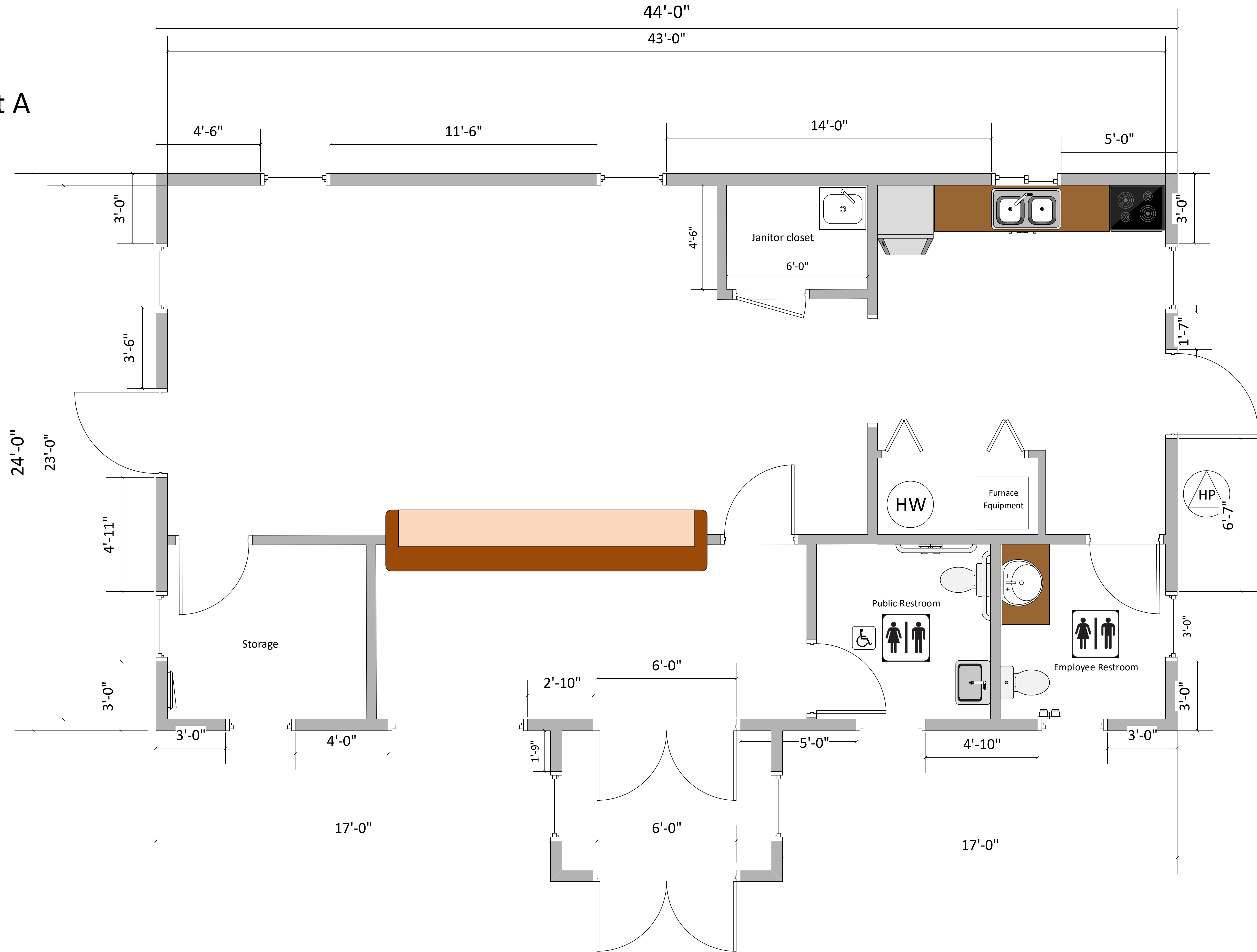
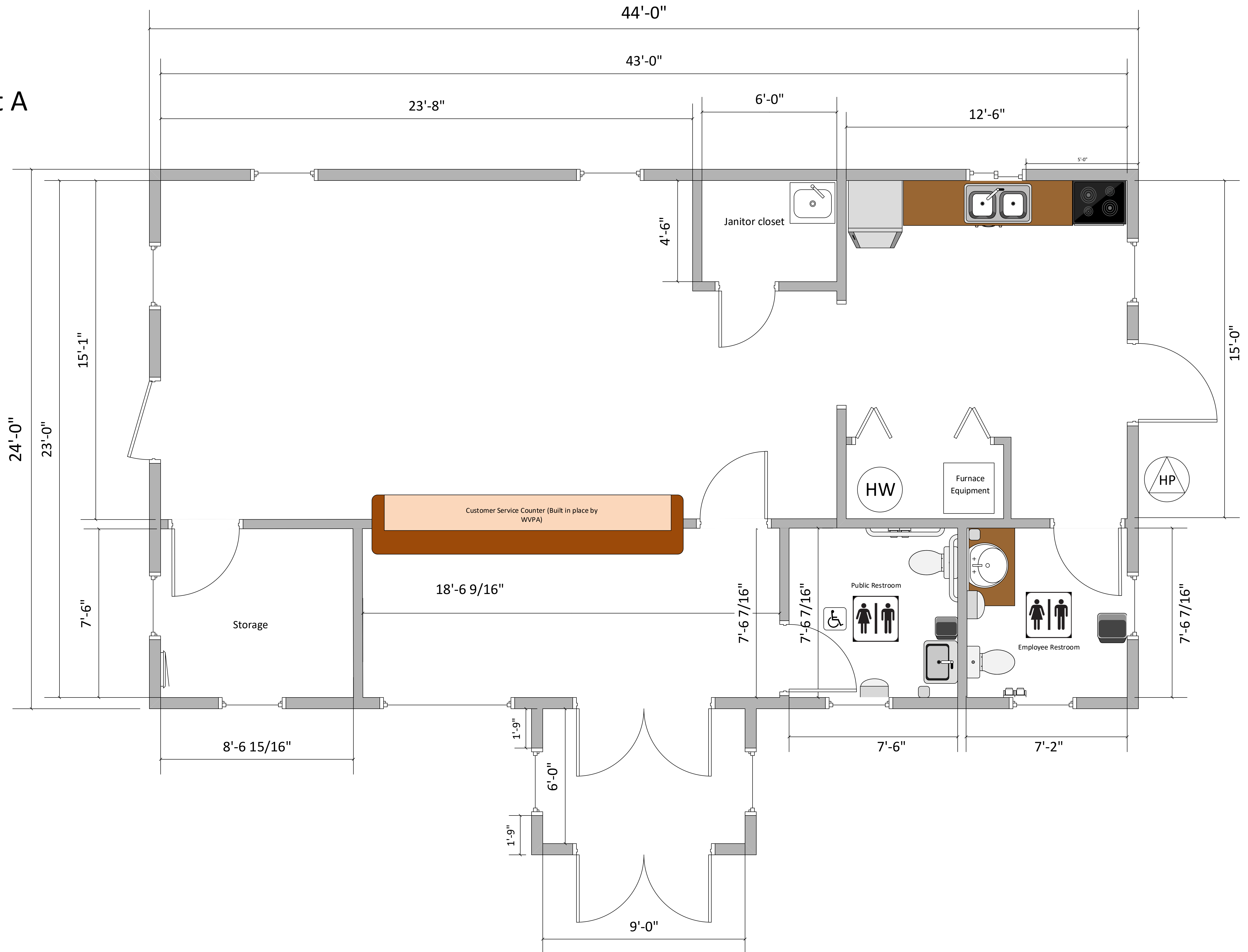
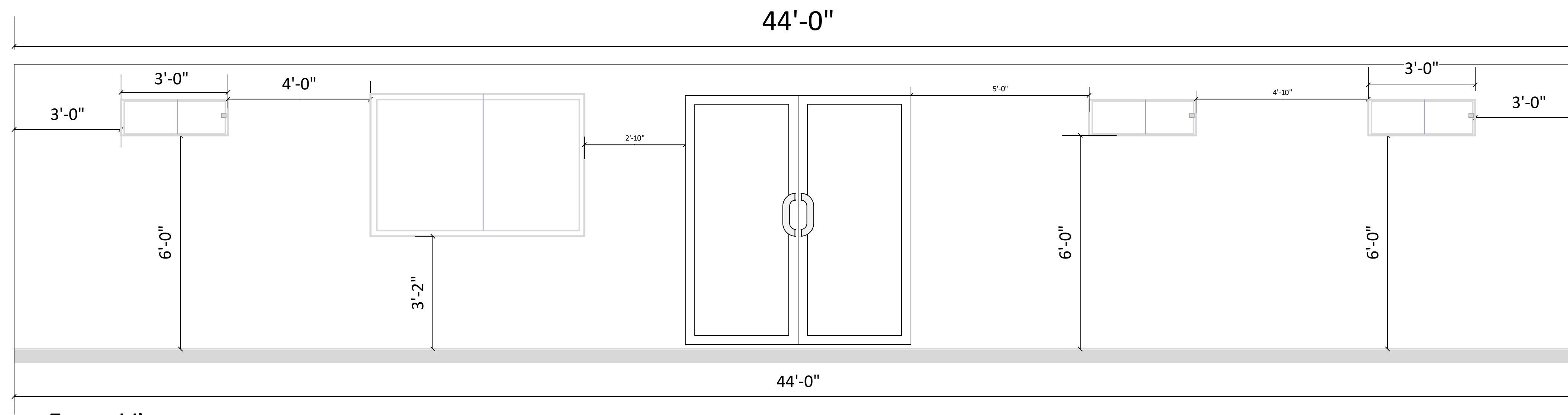


# Attachment A

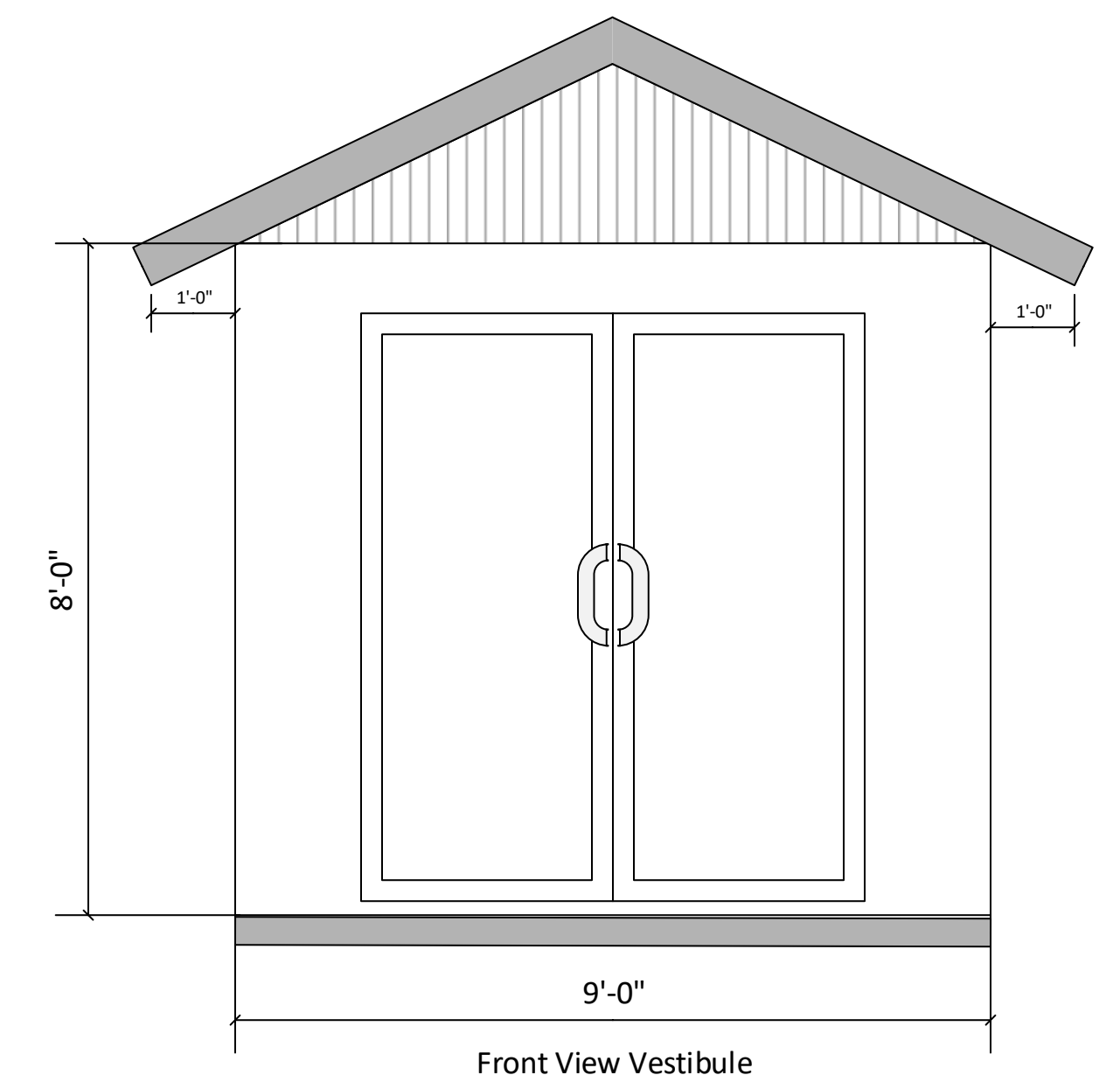


# Attachment A

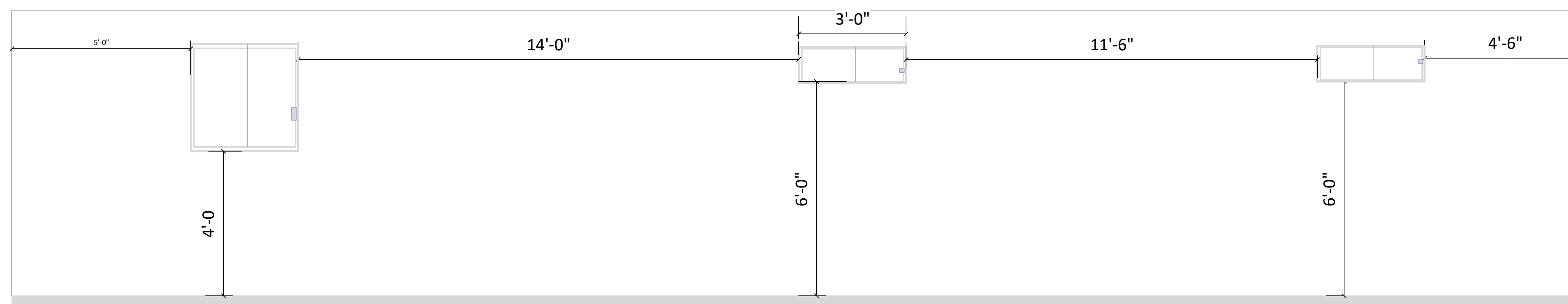




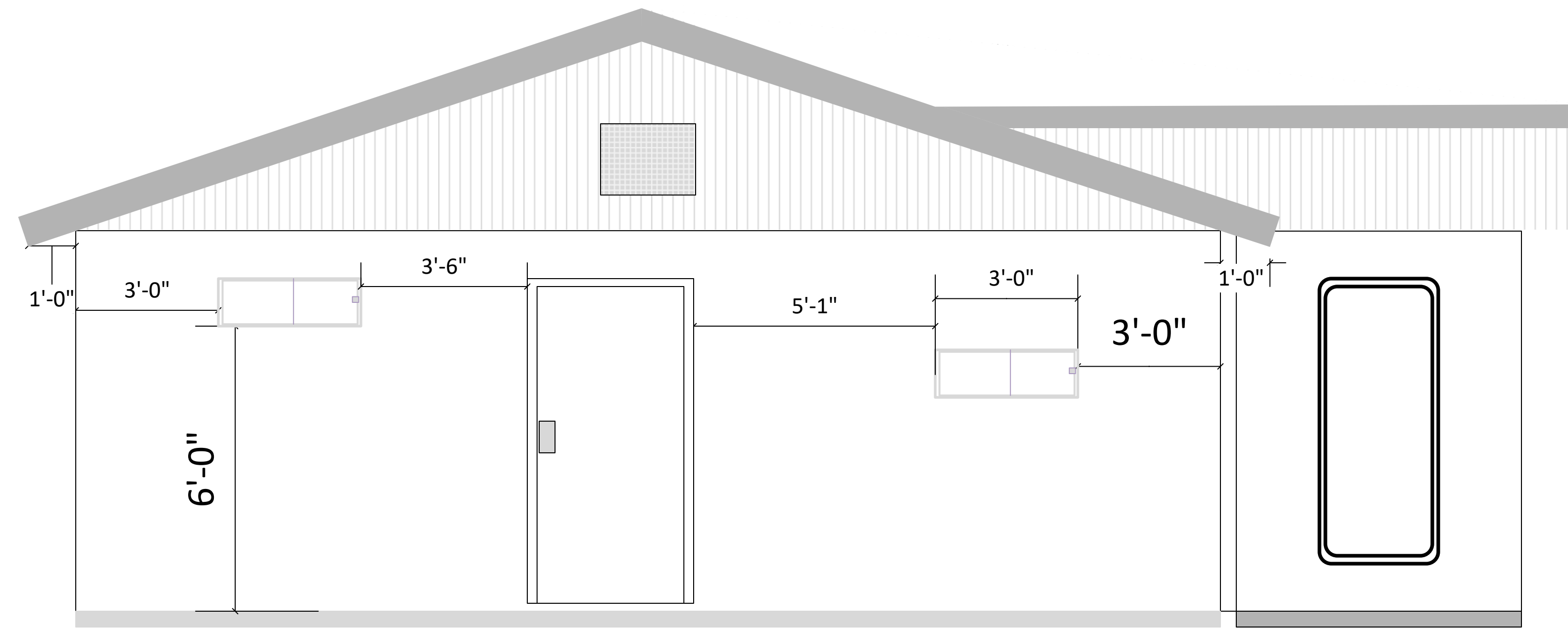
Front View



Front View Vestibule

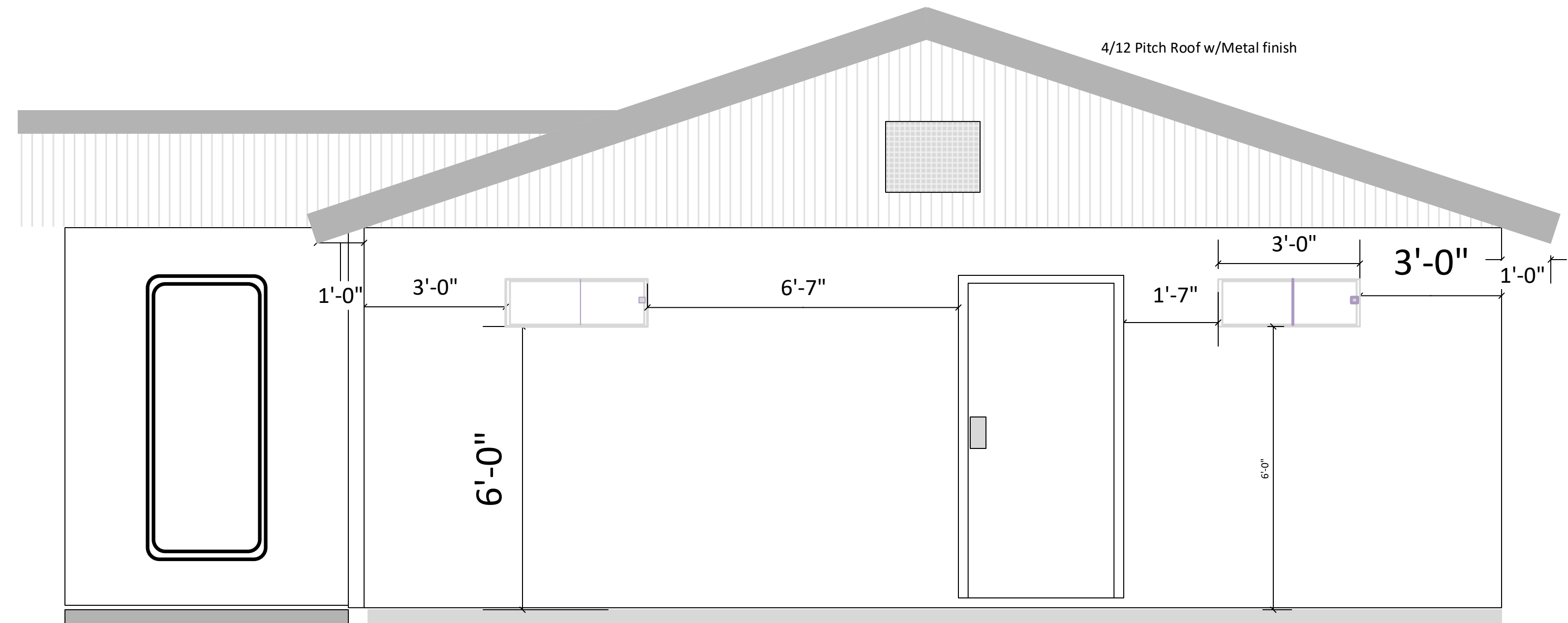


Back View



Left End View

Left Side Vestibule



Right Side Vestibule

Right End View

