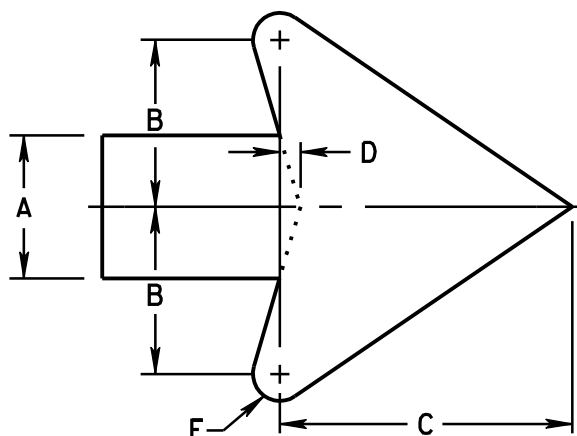
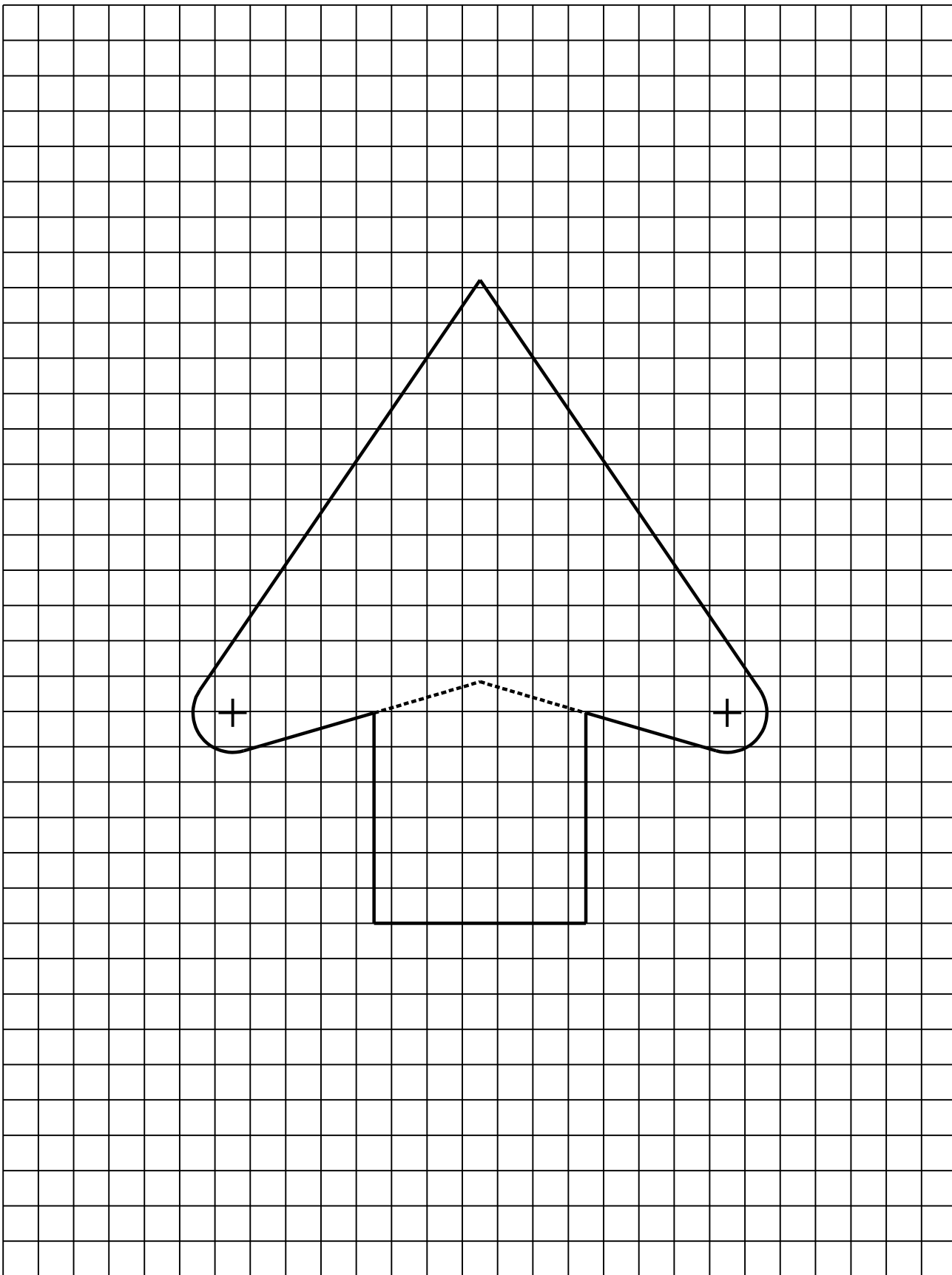


"STANDARD" ARROW DETAIL

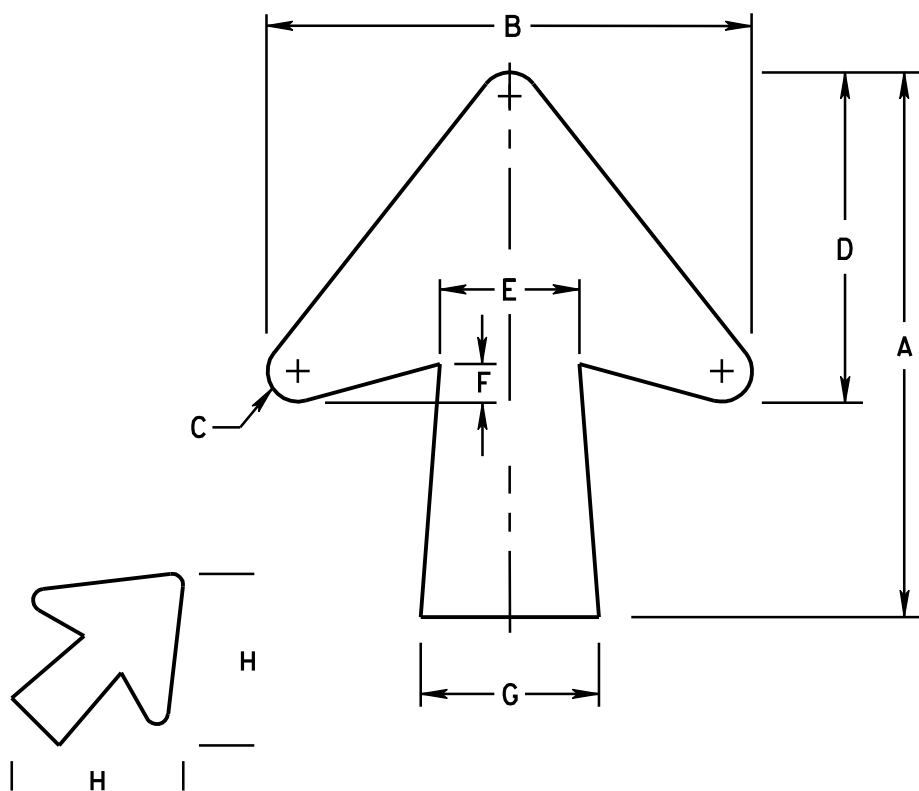


A	B	C	D	E
3/4	7/8	1 1/2	1/8	1/8
15/16	1 1/16	1 7/8	1/8	3/16
1	1 1/8	2	1/8	3/16
1 1/8	1 5/16	2 5/16	3/16	1/4
1 1/4	1 7/16	2 9/16	3/16	1/4
1 1/2	1 3/4	3 1/16	1/4	5/16
1 5/8	1 7/8	3 5/16	1/4	5/16
1 11/16	1 15/16	3 7/16	1/4	5/16
1 7/8	2 3/16	3 13/16	5/16	3/8
2	2 5/16	4 1/16	5/16	3/8
2 1/4	2 5/8	4 1/2	3/8	7/16
2 3/8	2 3/4	4 13/16	3/8	1/2
2 1/2	2 7/8	5 1/16	3/8	1/2
2 5/8	3	5 5/16	7/16	1/2
2 3/4	3	5 9/16	7/16	9/16
2 13/16	3 1/4	5 11/16	7/16	9/16
3	3 1/2	6 1/16	7/16	5/8
3 1/8	3 5/8	6 5/16	1/2	5/8
3 3/16	3 11/16	6 1/2	1/2	5/8
3 1/4	3 3/4	6 5/8	1/2	5/8
3 5/16	3 13/16	6 3/4	1/2	11/16
3 3/8	3 7/8	6 7/8	1/2	11/16
3 1/2	4	7 1/8	9/16	11/16
3 3/4	4 5/16	7 5/8	9/16	3/4

A	B	C	D	E
3 15/16	4 1/2	8	5/8	13/16
4	4 5/8	8 1/8	5/8	13/16
4 1/16	4 3/4	8 1/4	5/8	13/16
4 3/16	4 13/16	8 1/2	5/8	13/16
4 1/4	4 7/8	8 5/8	11/16	7/8
4 3/8	5	8 7/8	11/16	7/8
4 1/2	5 3/16	9 1/8	11/16	7/8
4 3/4	5 7/16	9 5/8	3/4	15/16
4 7/8	5 5/8	9 7/8	3/4	1
5	5 3/4	10 1/8	3/4	1
5 1/4	6	10 11/16	13/16	1 1/16
5 7/16	6 1/4	11 1/16	13/16	1 1/16
5 1/2	6 3/8	11 3/16	7/8	1 1/8
5 3/4	6 5/8	11 11/16	7/8	1 1/8
6	6 7/8	12 3/16	15/16	1 3/16
6 1/2	7 1/2	13 3/16	1	1 5/16
7	8	14 3/16	1 1/16	1 3/8
7 1/2	8 5/8	15 1/4	1 3/16	1 1/2
7 3/4	8 15/16	15 3/4	1 3/16	1 9/16
8	9 3/16	16 1/4	1 1/4	1 5/8
8 1/4	9 1/2	16 3/4	1 1/4	1 5/8
8 3/4	10 1/16	17 3/4	1 3/8	1 3/4
9	10 3/8	18 1/4	1 3/8	1 13/16
9 3/8	10 13/16	19	1 7/16	1 7/8



SHORT TAPERED ARROW DETAIL FOR GUIDE SIGNS*



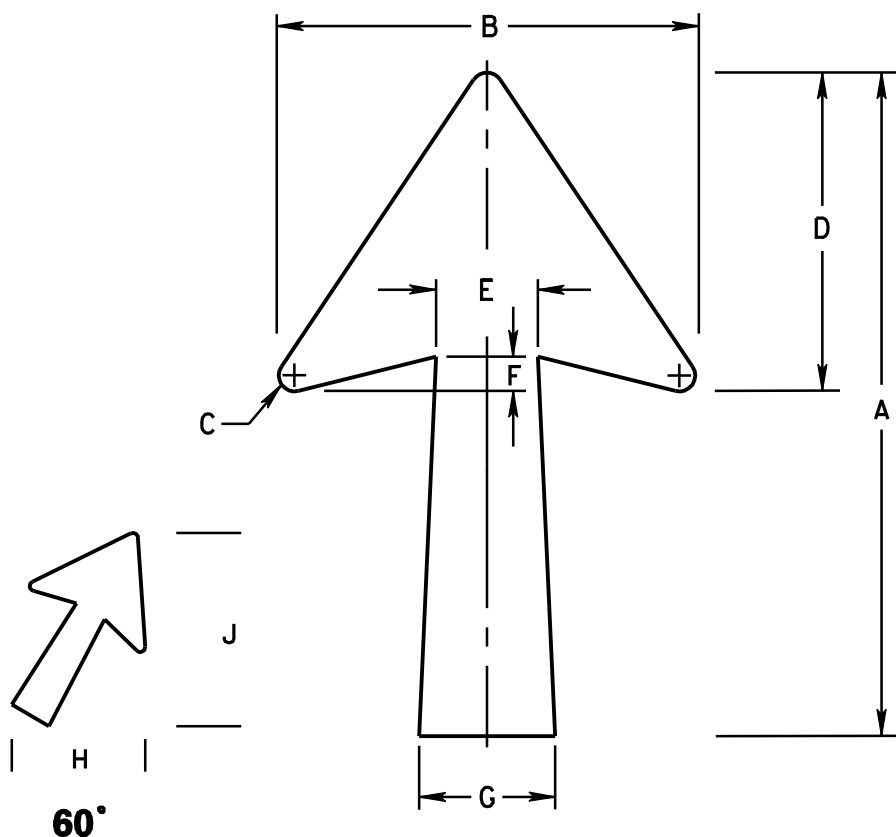
45°

DIMENSIONS (INCHES)

A	B	C	D	E	F	G	H	LEGEND
4 1/2	4	1/4	2 3/4	1 1/8	5/16	1 1/2	3 3/4	3C
6 3/8	5 5/8	5/16	3 5/8	1 9/16	7/16	1 15/16	5 1/4	4 UC, 4E
9 5/8	8 3/8	1/2	5 7/16	2 5/16	5/8	2 15/16	8	6 UC
12 3/4	11 1/4	5/8	7 1/4	3 1/8	7/8	3 7/8	10 1/2	8 UC, 6E

* - FOR USE ONLY WITH LEGEND SIZES SHOWN
AND ONLY AT 0°, 45°, 90°, 135°, AND 180°

LONG TAPERED ARROW DETAIL FOR GUIDE SIGNS*

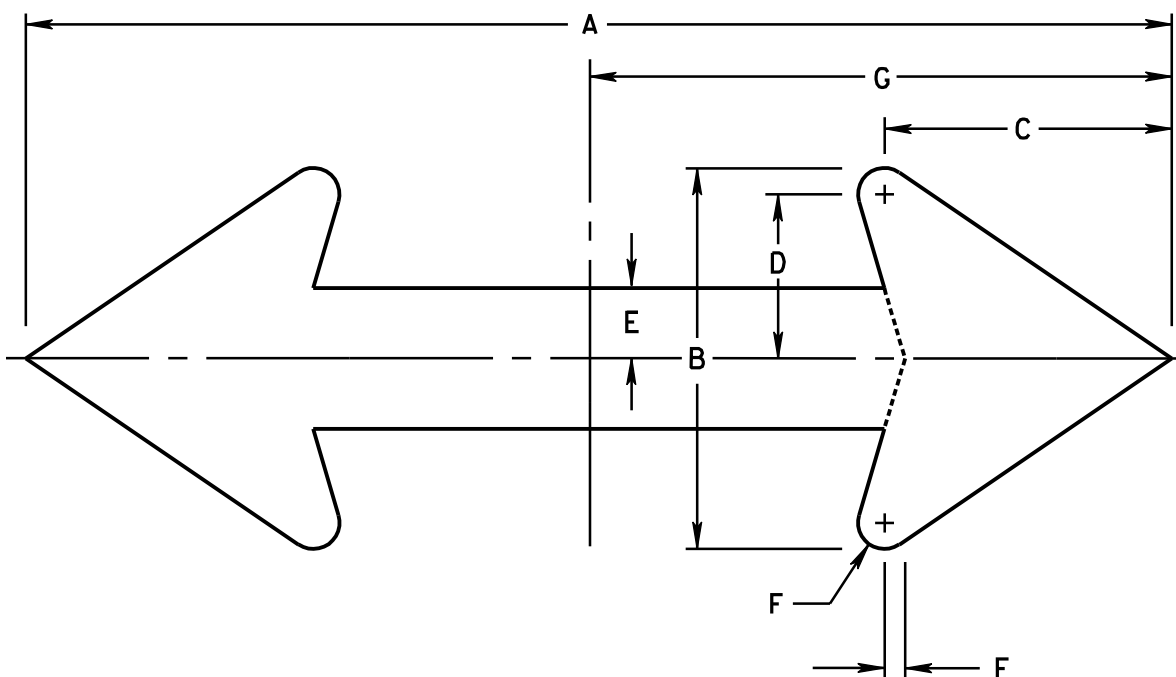


DIMENSIONS (INCHES)

A	B	C	D	E	F	G	H	J	LEGEND
24 1/4	15 1/8	13/16	11 9/16	3 3/4	1 5/16	5	15 1/2	22 3/8	8E, 10.67 UC
29 1/4	18 1/4	3/4	14	4 1/2	1 1/2	6	18 1/2	26 3/4	10E, 12E, 13.33 UC
35 5/8	22 1/4	1	17	5 3/8	1 3/4	7 1/8	22 5/8	32 3/4	16 UC, 20 UC

* - FOR USE ONLY WITH LEGEND SIZES SHOWN
AND ONLY AT 0°, 60°, 90°, 120°, AND 180°

DUAL-HEADED ARROW DETAIL*

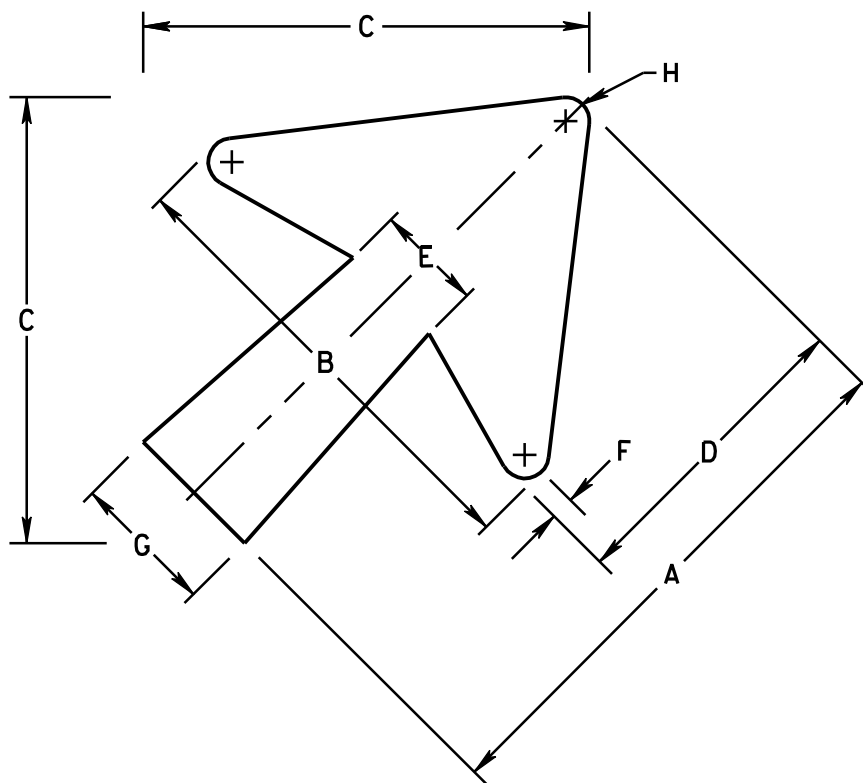


DIMENSIONS (INCHES)

A	B	C	D	E	F	G	LEGEND
12	4	3	1 ³ / ₄	³ / ₄	¹ / ₄	6	3C
18	6	4 ¹ / ₂	2 ⁵ / ₈	1 ¹ / ₈	³ / ₈	9	4 UC ,4E
24	8	6	3 ¹ / ₂	1 ¹ / ₂	¹ / ₂	12	6 UC ,6E
32	10	7 ⁵ / ₈	4 ⁵ / ₁₆	1 ⁷ / ₈	⁹ / ₁₆	16	8 UC ,8E
36	12	9	5 ¹ / ₄	2 ¹ / ₄	³ / ₄	18	10.67 UC

* - FOR USE AS DUAL HEADED ARROW ONLY
AND ONLY WITH LEGEND SIZES SHOWN.

45° ARROW DETAIL*

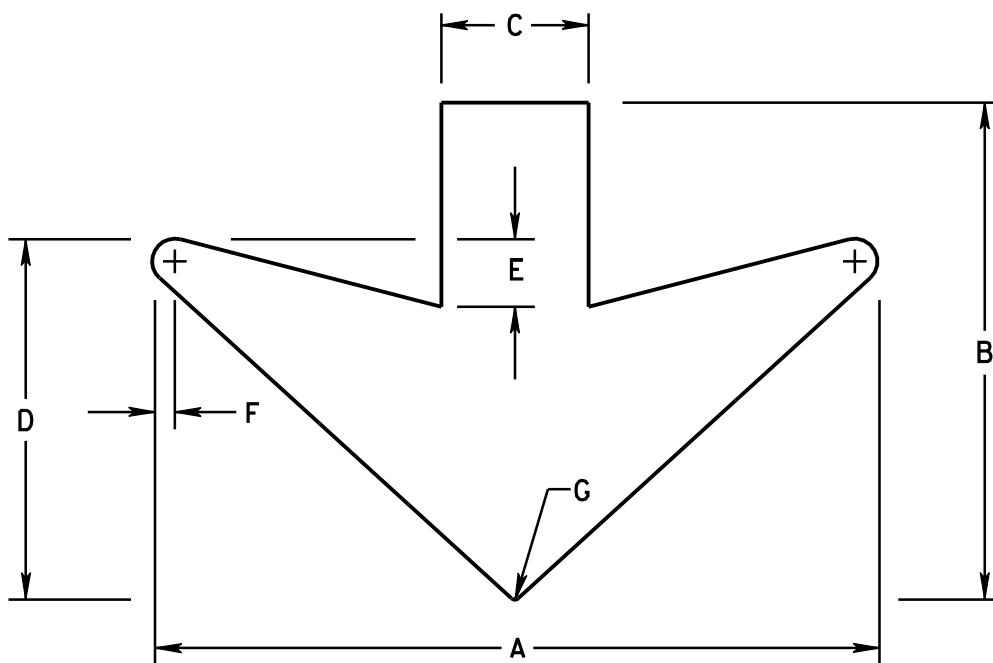


DIMENSIONS (INCHES)

A	B	C	D	E	F	G	H	LEGEND
17 1/4	14 1/2	14	9 13/16	3 3/8	1 5/16	4 1/2	3/4	8E, 10.67 UC
20 1/4	17 1/2	16 5/8	11 3/4	4 3/8	1 1/2	5 5/8	7/8	10E, 12E, 13.33 UC
25	21 7/8	20 3/8	14 1/4	5	1 3/4	6 3/4	1	16 UC, 20 UC

* - FOR USE ONLY WITH LEGEND SIZES SHOWN
AND ONLY AT 45°, 135°, 225°, AND 315°

"DOWN" ARROW DETAIL

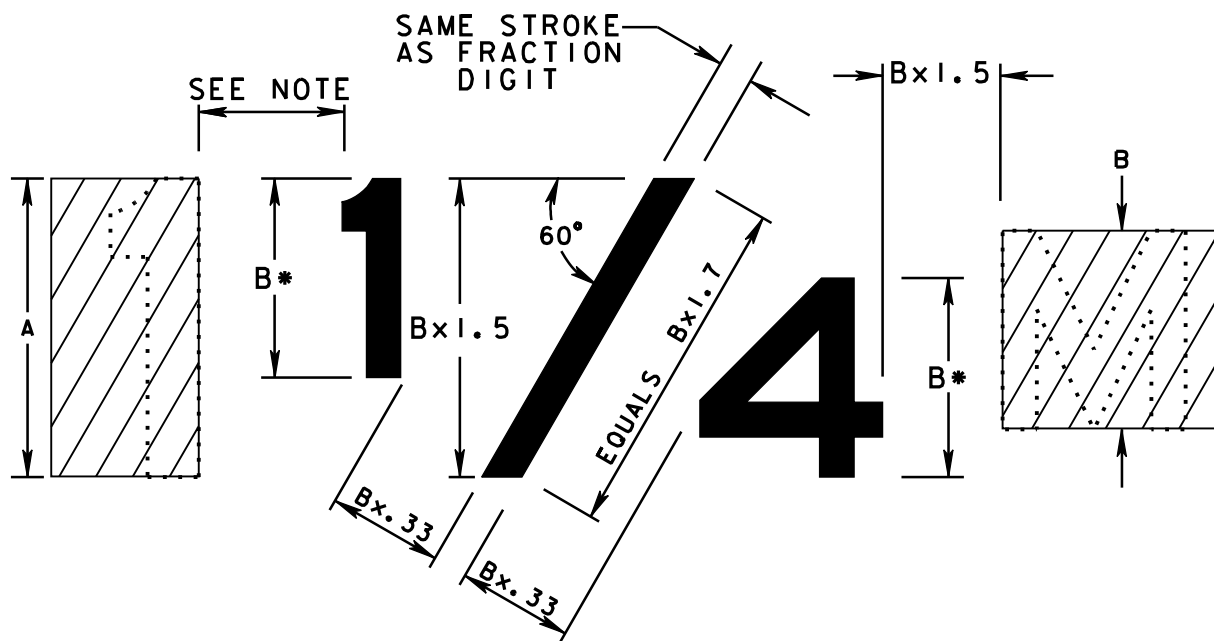


DIMENSIONS (INCHES)

A	B	C	D	E	F	G	LEGEND
24	16 1/2	4 7/8	12	2 1/4	3/4	3/8	8E, 10E, 12E, 8 UC, 10.67 UC, 13.33 UC
32	22	6 1/2	16	3	1	3/16	16 UC, 20 UC

FOR USE ONLY AS "DOWN" ARROW
AND ONLY WITH LEGEND SIZES SHOWN.

FRACTION DETAIL

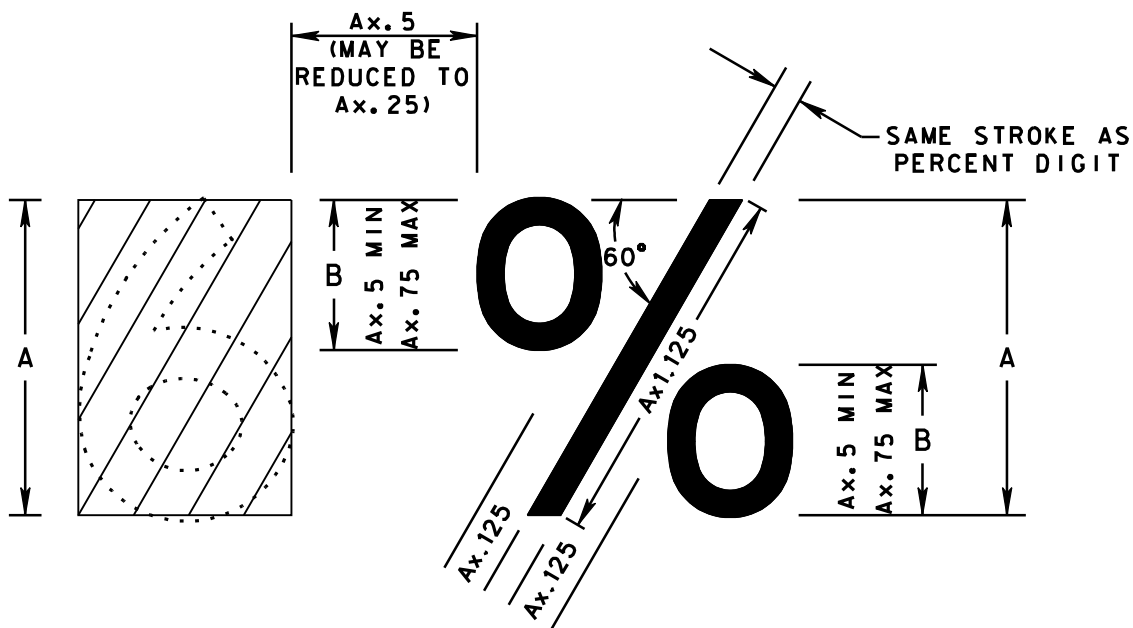


* - $A \times .66$ OR NEXT LARGER DIGIT

NOTE:
 IF LETTER PRECEDES FRACTION USE
 $1\frac{1}{2}$ OF A , IF DIGIT PRECEDES
 FRACTION USE $A \times .75$

USE MUTCD FOR DIGIT AND LETTER
 SIZE IN RELATION TO FRACTION SIZE.

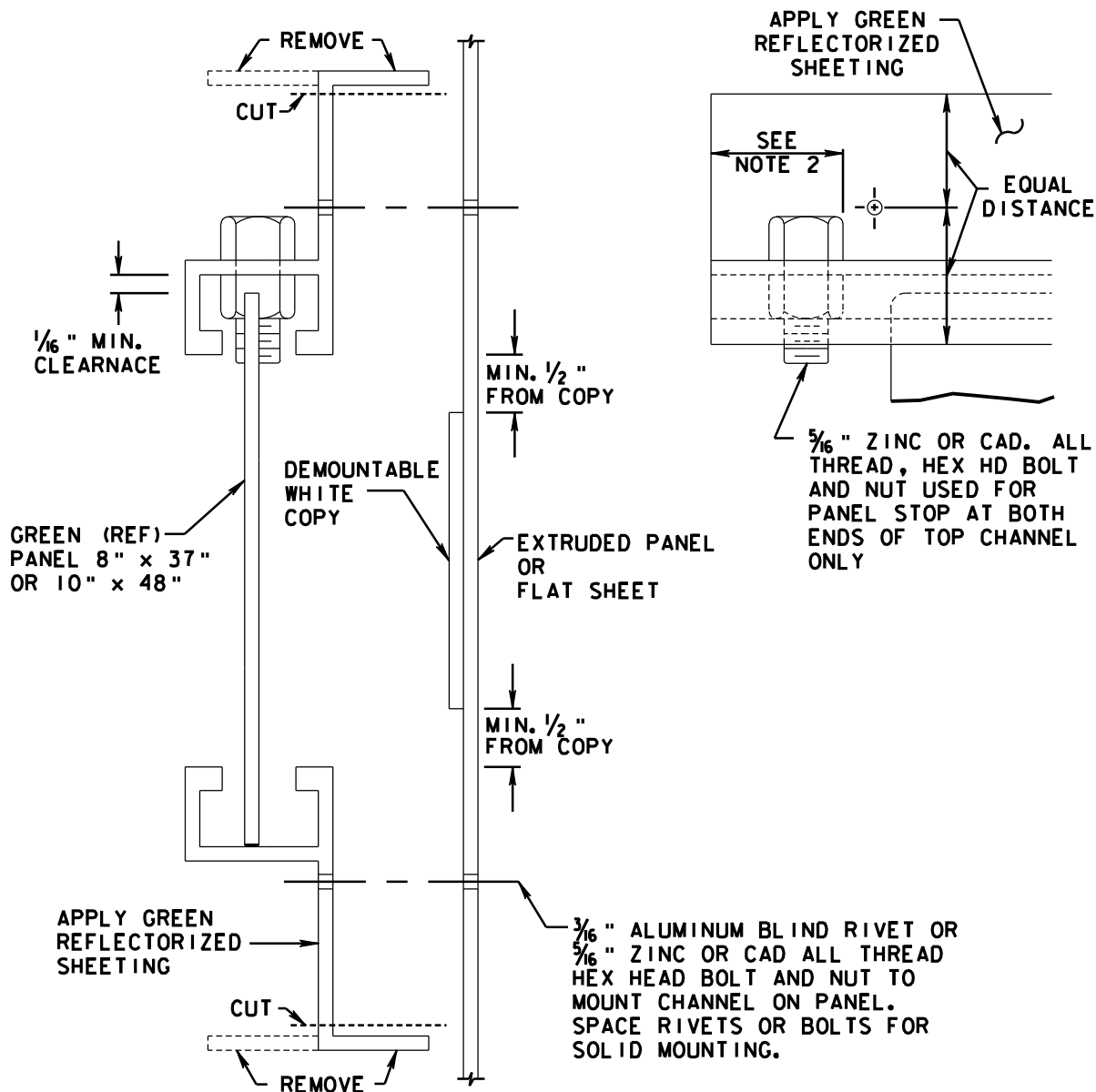
PERCENT DETAIL



STROKE WIDTH OF PERCENT DIGIT IS
EQUAL TO SERIES E OR E (M).

TYPICAL CHANNEL MOUNTING

FOR USE WITH D8-2



NOTES:

1. USE ALCOA PART NO. 84921 OR PART NO. 104921 OR EQUAL FOR CHANNEL.
2. TOP CHANNEL TO EXTEND BEYOND EACH END OF BOTTOM CHANNEL BY THIS DIMENSION.