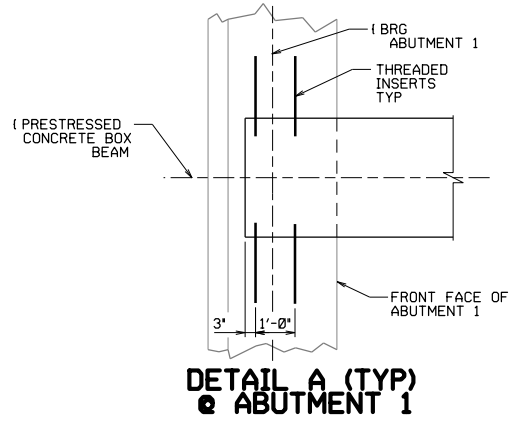


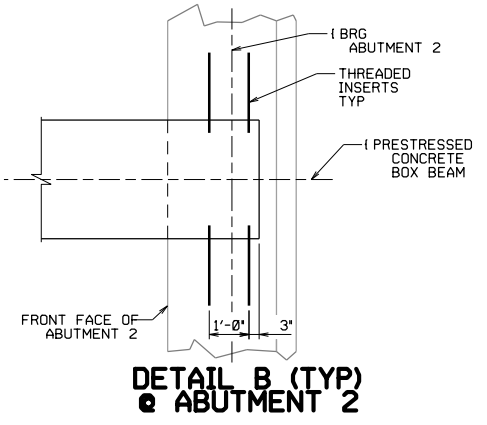
FRAMING PLAN CONTROL POINTS		
CODE	DESCRIPTION	DIMENSION
A	WP 1 (STATION)	
B	WP 2 (STATION)	
C	(BEARING TO (BEARING LENGTH	
D	LENGTH FROM WP TO (DIAPHRAGM	
E	BEAM SPACING (to (
F	OFFSET FROM (FROM ROADWAY	
G	OFFSET FROM (FROM ROADWAY	
J	PRESTRESSED CONCRETE BOX BEAM SIZE (W x H)	
K	IS VENT PIPE REQUIRED? (YES/NO)	

NOTE:
 OMIT INSERT ON EXTERIOR FACE OF EXTERIOR BEAMS.
 ALL BEAMS ARE PARALLEL TO CENTER LINE OF ROADWAY AND ALL DIAPHRAGMS ARE PERPENDICULAR TO THE BEAMS.
 REFER TO BEAM MISCELLANEOUS DETAIL SHEET FOR THREADED ROD DETAIL.
 CAST 1" DIAMETER HOLES WITH PVC PIPE IN ENDS OF EACH BOX BEAM, WHEN NEEDED, COST SHALL BE INCLUDED IN ITEM 603016, PRESTRESSED CONCRETE BOX BEAM, SEE DETAIL THIS SHEET.

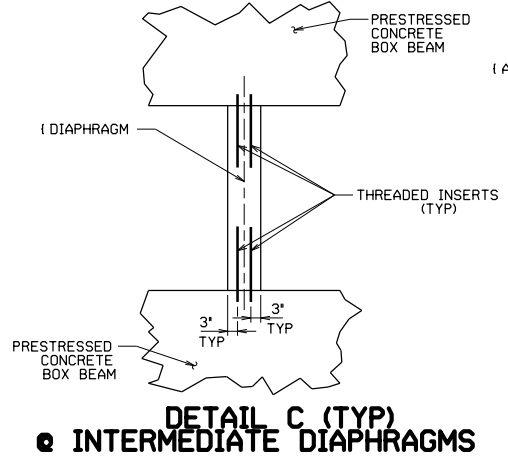
FRAMING PLAN



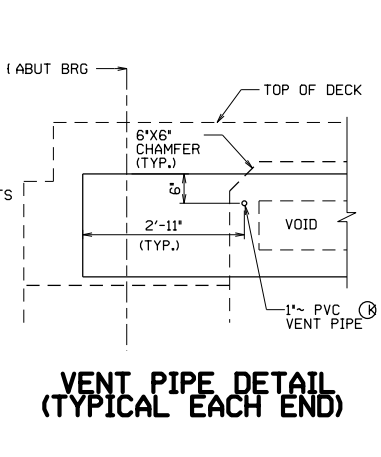
**DETAIL A (TYP)
 @ ABUTMENT 1**



**DETAIL B (TYP)
 @ ABUTMENT 2**



**DETAIL C (TYP)
 @ INTERMEDIATE DIAPHRAGMS**



**VENT PIPE DETAIL
 (TYPICAL EACH END)**

NOT TO SCALE

PRINT DATE
 14-JUL-2020 06:26

NO.	REVISION	DATE	BY

WEST VIRGINIA DEPARTMENT OF TRANSPORTATION
 DIVISION OF HIGHWAYS

DESIGNED ON	DATE	CHECKED	DATE
DRAWN	DATE	REVIEWED	DATE

STANDARD BRIDGE PLANS
**FRAMING SPREAD BOX
 4 BEAM NO SKEW**
 SHEET NUMBER 1020EB4