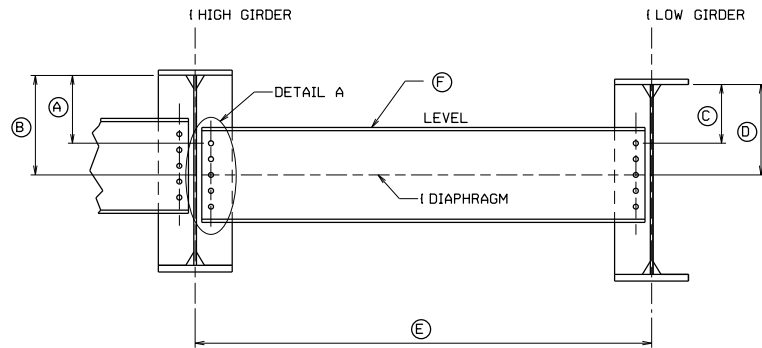
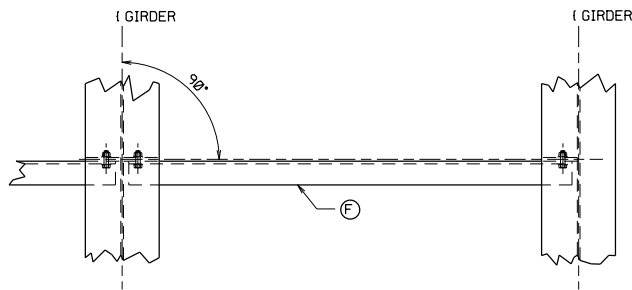


PRINT DATE
14-JUL-2020 06:26



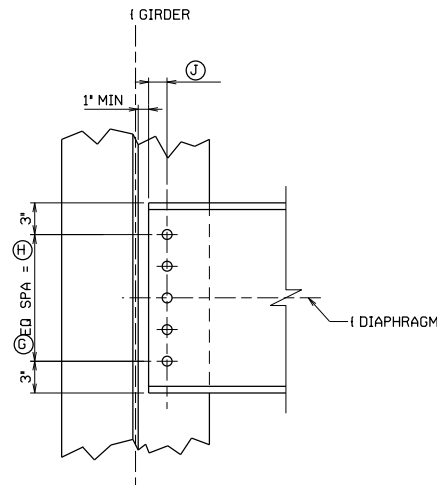
INTERMEDIATE DIAPHRAGM ELEVATION



INTERMEDIATE DIAPHRAGM PLAN

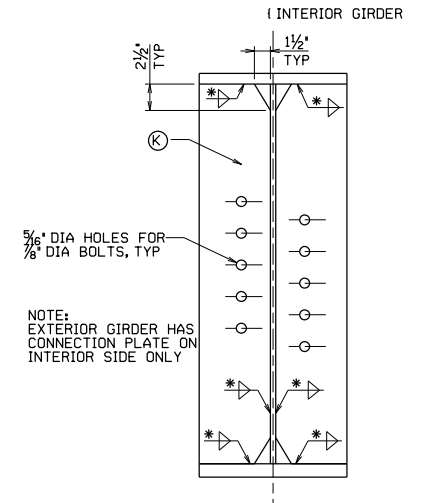
* WELD SIZES	
PLATE THICKNESS	WELD SIZE
< 3/4"	1/4"
≥ 3/4"	5/16"

NOTE: SEE FRAMING PLAN
FOR GIRDER DIMENSIONS

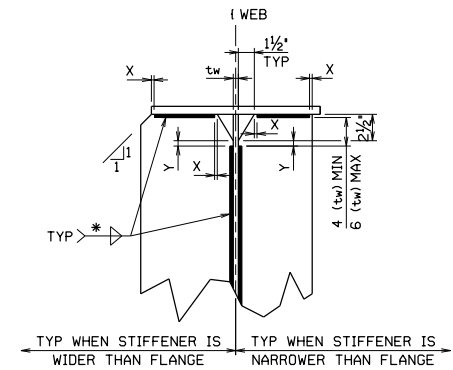


DETAIL A

CONTROL DIMENSIONS		
CODE	DESCRIPTION	DIMENSION
A	DISTANCE FROM BOTTOM OF TOP FLANGE TO CENTER OF UPPER BOLT	
B	DISTANCE FROM BOTTOM OF TOP FLANGE TO CENTER LINE OF DIAPHRAGM	
C	DISTANCE FROM BOTTOM OF TOP FLANGE TO CENTER OF UPPER BOLT	
D	DISTANCE FROM BOTTOM OF TOP FLANGE TO CENTER LINE OF DIAPHRAGM	
E	CENTER TO CENTER GIRDER SPACING	
F	DIAPHRAGM-C CHANNEL SIZE	
G	NUMBER OF BOLT SPACES	
H	DISTANCE OF TOTAL BOLT SPACING	
J	MINIMUM BOLT CLEARANCE FROM END	
K	PLATE SIZE WxHxt	



CONNECTION PLATE
LOOKING AHEAD STATION



**WELDING DETAIL AT END
OF STIFFENER OR
CONNECTION PLATE**

NOT TO SCALE

NO.	REVISION	DATE	BY

WEST VIRGINIA DEPARTMENT OF TRANSPORTATION
DIVISION OF HIGHWAYS

DESIGNED BY	DATE	CHECKED	DATE
DRAWN	DATE	REVIEWED	DATE

STANDARD BRIDGE PLANS
**INTERMEDIATE DIAPHRAGM
C CHANNEL**
SHEET NUMBER 1102D14