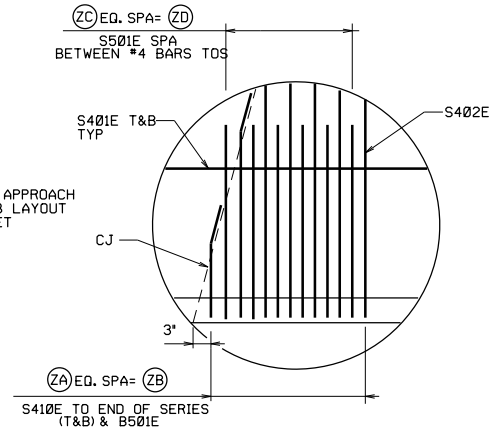
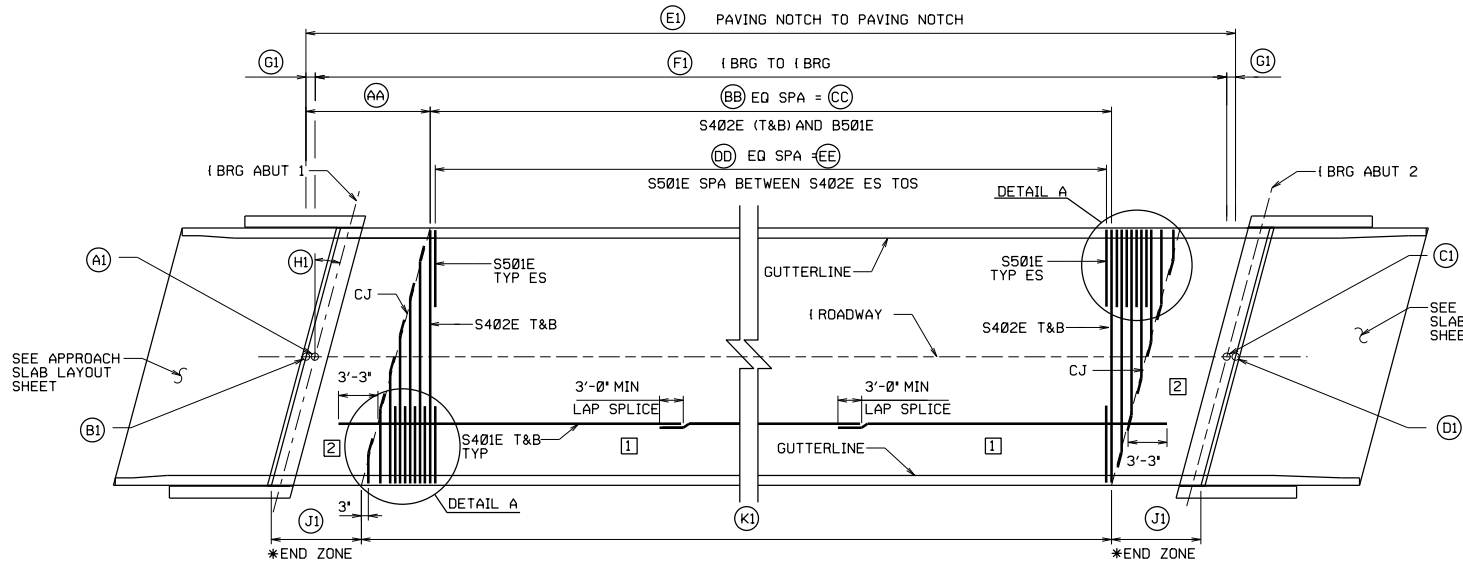


PRINT DATE  
14-JUL-2020 06:26



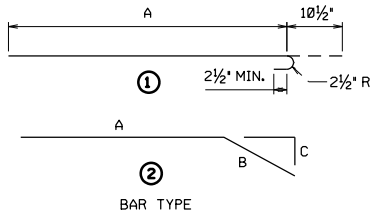
\* SEE END ZONE LAYOUT SHEET

□ POUR SEQUENCE NUMBER

| DECK CONTROL DIMENSIONS |                                     |           |
|-------------------------|-------------------------------------|-----------|
| CODE                    | DESCRIPTION                         | DIMENSION |
| A1                      | WP 1 STATION                        |           |
| B1                      | BEGIN BRIDGE STATION                |           |
| C1                      | WP 2 STATION                        |           |
| D1                      | END BRIDGE STATION                  |           |
| E1                      | LENGTH PAVING NOTCH TO PAVING NOTCH |           |
| F1                      | LENGTH I BEARING TO I BEARING       |           |
| G1                      | LENGTH PAVING NOTCH TO WP           |           |
| H1                      | SKEW                                |           |
| J1                      | LENGTH OF END ZONE                  |           |
| K1                      | LENGTH BETWEEN END ZONES            |           |

| REBAR CONTROL DIMENSIONS |  |           |
|--------------------------|--|-----------|
| CODE                     | DESCRIPTION  | DIMENSION |
| AA                       | DISTANCE BETWEEN PAVING NOTCH AND FIRST DECK REBAR IN POUR SEQUENCE 1  |           |
| BB                       | NUMBER OF EQUAL SPACES FOR TOP AND BOTTOM TRANSVERSE REBAR             |           |
| CC                       | DISTANCE OF TOP AND BOTTOM TRANSVERSE REBAR                            |           |
| DD                       | NUMBER OF EQUAL SPACES FOR TOP OVERHANG REBAR BETWEEN TRANSVERSE REBAR |           |
| EE                       | DISTANCE OF OVERHANG REBAR   |           |

| REBAR CONTROL DIMENSIONS FOR DETAIL A |  |           |
|---------------------------------------|--|-----------|
| CODE                                  | DESCRIPTION  | DIMENSION |
| ZA                                    | NUMBER OF EQUAL SPACES FOR TOP AND BOTTOM TRANSVERSE REBAR             |           |
| ZB                                    | DISTANCE OF TOP AND BOTTOM TRANSVERSE REBAR                            |           |
| ZC                                    | NUMBER OF EQUAL SPACES FOR TOP OVERHANG REBAR BETWEEN TRANSVERSE REBAR |           |
| ZD                                    | DISTANCE OF TOP AND BOTTOM TRANSVERSE REBAR                            |           |



| BILL OF REINFORCING STEEL |                          |        |        |   |   |   |
|---------------------------|--------------------------|--------|--------|---|---|---|
| LONGITUDINAL STEEL        |                          |        |        |   |   |   |
| MARK                      | TYPE                     | NUMBER | LENGTH | A | B | C |
| S402E                     | STR                      |        |        |   |   |   |
| S501E                     | 1                        |        |        |   |   |   |
| B501E                     | SEE BARRIER DETAIL SHEET |        |        |   |   |   |
| S410E                     |                          |        |        |   |   |   |
| TO                        | 2                        |        |        |   |   |   |

| ADDITIONAL DETAILS NEEDED |              |
|---------------------------|--------------|
| SERIES                    | SHEET NUMBER |
| 1300                      |              |
|                           |              |

| NO. | REVISION | DATE | BY |
|-----|----------|------|----|
|     |          |      |    |

WEST VIRGINIA DEPARTMENT OF TRANSPORTATION  
DIVISION OF HIGHWAYS

| DESIGNED | DATE | CHECKED  | DATE |
|----------|------|----------|------|
| DRAWN    | DATE | REVIEWED | DATE |
|          |      |          |      |
|          |      |          |      |

STANDARD BRIDGE PLANS  
**DECK LAYOUT LF SKEW**  
SHEET NUMBER 1200DK3