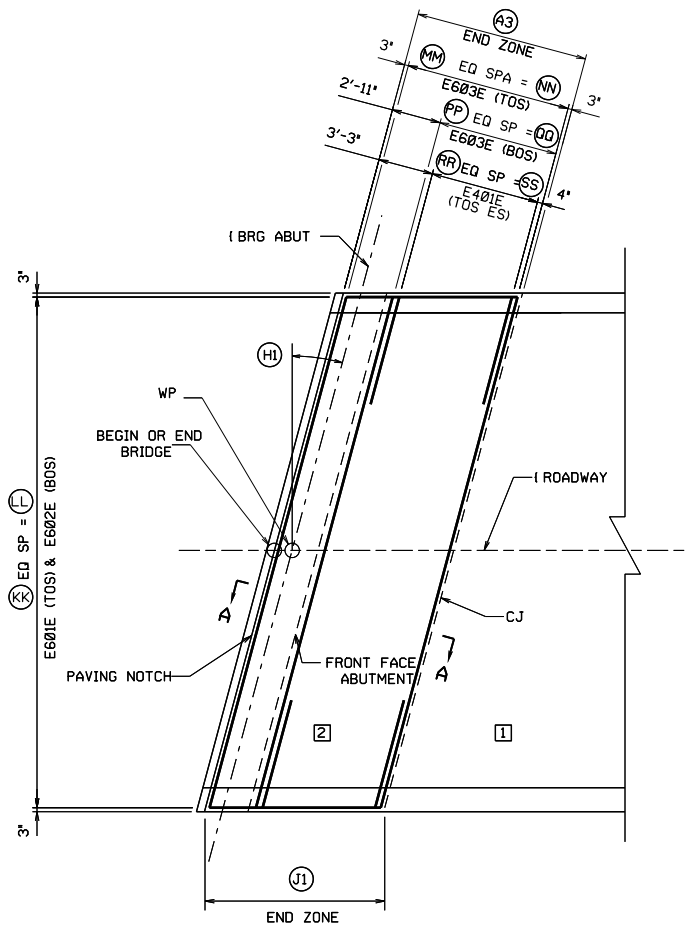
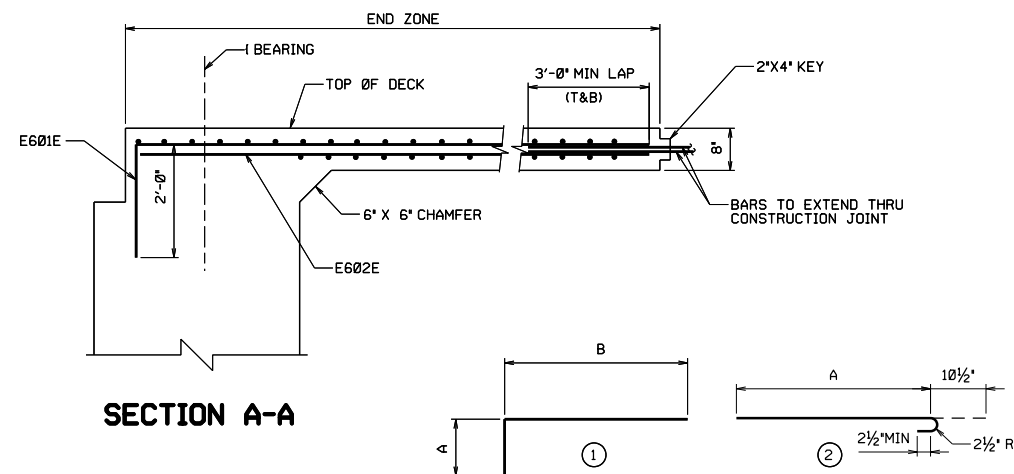


PRINT DATE  
14-JUL-2020 06:26

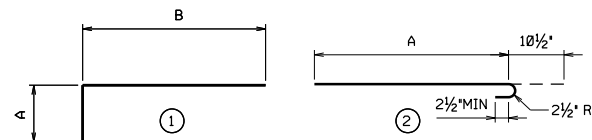


□ POUR SEQUENCE NUMBER

**PLAN**



**SECTION A-A**



**BAR TYPE**

DECK CONTROL DIMENSIONS		
CODE	DESCRIPTION	DIMENSION
A3	END ZONE	
HI	SKEW LF	
J1	LONGITUDINAL END ZONE LENGTH	

REBAR CONTROL DIMENSIONS		
CODE	DESCRIPTION	DIMENSION
KK	NUMBER OF EQUAL SPACES FOR TOP AND BOTTOM LONGITUDINAL REBAR	
LL	DISTANCE OF TOP AND BOTTOM LONGITUDINAL REBAR	
MM	NUMBER OF EQUAL SPACES FOR TOP TRANSVERSE REBAR	
NN	DISTANCE OF TOP TRANSVERSE REBAR	
PP	NUMBER OF EQUAL SPACES FOR BOTTOM TRANSVERSE REBAR	
QQ	DISTANCE OF BOTTOM TRANSVERSE REBAR	
RR	NUMBER OF EQUAL SPACES FOR TOP OVERHANG REBAR BETWEEN TRANSVERSE REBAR	
SS	DISTANCE OF OVERHANG REBAR	

BILL OF REINFORCING STEEL					
LONGITUDINAL STEEL					
MARK	TYPE	NUMBER	LENGTH	A	B
E601E	1				
E602E	STR				
TRANSVERSE STEEL					
MARK	TYPE	NUMBER	LENGTH		
E401E	2				
E603E	STR				

ADDITIONAL DETAILS NEEDED	
SERIES	SHEET NUMBER
1200	

NO.	REVISION	DATE	BY

WEST VIRGINIA DEPARTMENT OF TRANSPORTATION  
DIVISION OF HIGHWAYS

DESIGNED	DATE	CHECKED	DATE
DRAWN	DATE	REVIEWED	DATE

STANDARD BRIDGE PLANS  
**END ZONE LAYOUT LF SKEW**  
SHEET NUMBER 1400EZ3