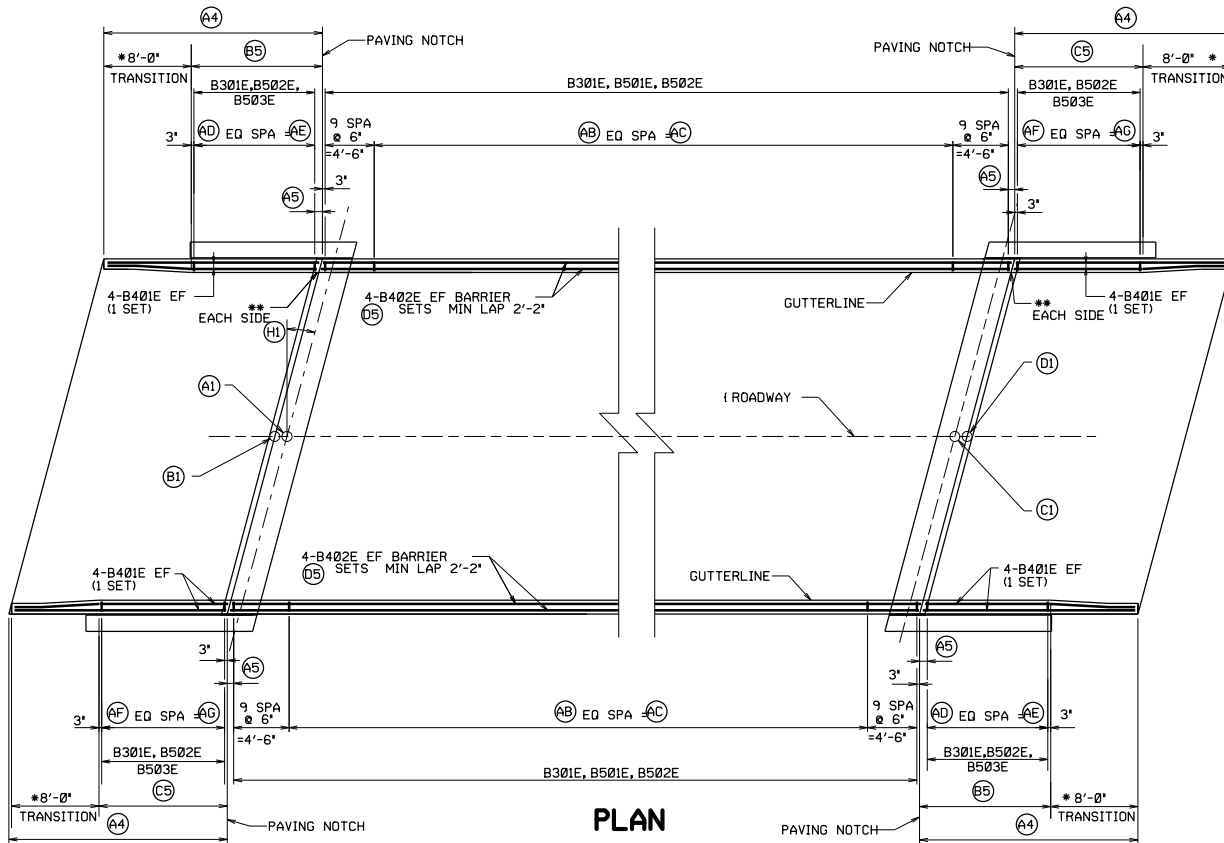


PRINT DATE  
14-JUL-2020 06:26



**PLAN**

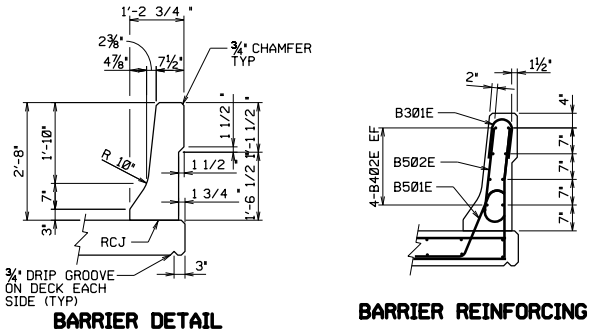
\* SEE BARRIER TRANSITION ON APPROACH SLAB  
\*\* 1/2" OPEN JOINT (EACH SIDE)

DECK CONTROL DIMENSIONS		
CODE	DESCRIPTION	DIMENSION
A1	WP 1 STATION	
B1	BEGIN BRIDGE STATION	
C1	WP 2 STATION	
D1	END BRIDGE STATION	
A4	APPROACH SLAB LENGTH	
A5	LONGITUDINAL SKEW DISTANCE PLUS COVER	
B5	LENGTH OF TYPE F BARRIER ON APPROACH	
C5	LENGTH OF TYPE F BARRIER ON APPROACH	
D5	NUMBER OF SETS	
H1	SKEW	

REBAR CONTROL DIMENSIONS		
CODE	DESCRIPTION	DIMENSION
AB	NUMBER OF EQUAL SPACES FOR TRANSVERSE REBAR	
AC	DISTANCE OF TRANSVERSE REBAR	
AD	NUMBER OF EQUAL SPACES FOR TRANSVERSE REBAR ON APPROACH SLAB	
AE	DISTANCE OF TRANSVERSE REBAR ON APPROACH SLAB	
AF	NUMBER OF EQUAL SPACES FOR TRANSVERSE REBAR ON APPROACH SLAB	
AG	DISTANCE OF TRANSVERSE REBAR ON APPROACH SLAB	

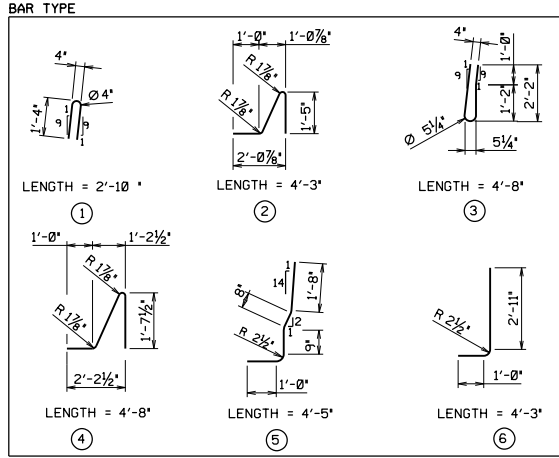
BILL OF REINFORCING STEEL			
LONGITUDINAL STEEL			
MARK	TYPE	NUMBER	LENGTH
B301E	STR		
B401E	STR		
B402E	STR		
TRANSVERSE STEEL			
MARK	TYPE	NUMBER	LENGTH
B301E	1		2'-10"
B501E	2		4'-3"
B502E	3		4'-8"
B503E	4		4'-8"
*B504E	5		4'-5"
*B505E	6		4'-3"

\* SHOWN ON SHEET "TRANSITION ON APPROACH SLAB" \*1600BA4



**BARRIER DETAIL**

**BARRIER REINFORCING**



NOT TO SCALE

ADDITIONAL DETAILS NEEDED	
SERIES	SHEET NUMBER
1200	
1600	1600BA4

NO.	REVISION	DATE	BY

WEST VIRGINIA DEPARTMENT OF TRANSPORTATION  
DIVISION OF HIGHWAYS

DESIGNED	DATE	CHECKED	DATE
DRAWN	DATE	REVIEWED	DATE

STANDARD BRIDGE PLANS  
**BARRIER LAYOUT LF SKEW**  
SHEET NUMBER 1600BA3