



Department of Administration
 Purchasing Division
 2019 Washington Street East
 Post Office Box 50130
 Charleston, WV 25305-0130

**State of West Virginia
 Solicitation Response**

Proc Folder: 1409893
Solicitation Description: Networking Cables
Proc Type: Agency Purchase Order

Solicitation Closes	Solicitation Response	Version
2024-04-25 14:30	SR 0803 ESR04252400000006402	1

VENDOR
 000000211218
 INNOVATIVE BUSINESS SOLUTIONS

Solicitation Number: ARFQ 0803 DOT2400000075
Total Bid: 9971.299999999999272404238581 **Response Date:** 2024-04-25 **Response Time:** 13:54:22
Comments:

FOR INFORMATION CONTACT THE BUYER
 Dusty J Smith
 304-414-6859
 dusty.j.smith@wv.gov

Vendor Signature X **FEIN#** **DATE**

All offers subject to all terms and conditions contained in this solicitation

Line	Comm Ln Desc	Qty	Unit Issue	Unit Price	Ln Total Or Contract Amount
1	Leviton CAT 6A High-Flex Patch Cable, Violet, (1) Ft	4275.0000	EA	2.190000	9362.25

Comm Code	Manufacturer	Specification	Model #
43202222			

Commodity Line Comments: Equal - see attached specifications sheets

Extended Description:

3.1.1 Leviton CAT 6A High-Flex Patch Cable, Color Violet, one (1) Foot part no. H6A10-01V or equal

Line	Comm Ln Desc	Qty	Unit Issue	Unit Price	Ln Total Or Contract Amount
2	Leviton CAT 6A High-Flex Patch Cable, Yellow, (1) Ft	95.00000	EA	2.190000	208.05

Comm Code	Manufacturer	Specification	Model #
43202222			

Commodity Line Comments: Equal - see attached specifications sheets

Extended Description:

3.1.2 Leviton CAT 6A High-Flex Patch Cable, Color Yellow, (1) One Foot part no. H6A10-1Y or equal

Line	Comm Ln Desc	Qty	Unit Issue	Unit Price	Ln Total Or Contract Amount
3	Leviton CAT 6A High-Flex Patch Cable, Yellow, (2) Ft	95.00000	EA	2.490000	236.55

Comm Code	Manufacturer	Specification	Model #
43202222			

Commodity Line Comments: Equal - see attached specifications sheets

Extended Description:

3.1.3 Leviton CAT 6A High-Flex Patch Cable, Color Yellow, (2) Two Feet part no. H6A10-2Y or equal

Line	Comm Ln Desc	Qty	Unit Issue	Unit Price	Ln Total Or Contract Amount
4	Leviton Hook and Loop Wrap Bulk Roll, Color Black, (75) Ft	5.00000	EA	32.890000	164.45

Comm Code	Manufacturer	Specification	Model #
43202222			

Commodity Line Comments: Velcro equal - see attached specifications sheets

Extended Description:

3.1.4 Leviton Hook and Loop Wrap Bulk Roll, Color Black, (75) Seventy-five Feet part no. 43115-75 or equal



**State of West Virginia
Agency Request for Quote
Highways**

Proc Folder: 1409893			Reason for Modification:
Doc Description: Networking Cables			
Proc Type: Agency Purchase Order			
Date Issued	Solicitation Closes	Solicitation No	Version
2024-04-12	2024-04-25 14:30	ARFQ 0803 DOT2400000075	1


BID RECEIVING LOCATION

PROCUREMENT DIVISION
 DIVISION OF HIGHWAYS
 BLDG 6 RM 340A
 1900 KANAWHA BLVD E
 CHARLESTON WV 25305
 US

VENDOR

Vendor Customer Code: 0211218
Vendor Name : INNOVATIVE BUSINESS SOLUTIONS
Address : 1224 BRUSHY FORK RD
Street :
City : CAIRO
State : WV **Country :** **Zip :** 26337
Principal Contact : BRIAN BARTLETT
Vendor Contact Phone: 304-628-3049 **Extension:**

FOR INFORMATION CONTACT THE BUYER
 Dusty J Smith
 304-414-6859
 dusty.j.smith@wv.gov

Vendor Signature X  **FEIN#** 550785005 **DATE** 4-25-2024

All offers subject to all terms and conditions contained in this solicitation

ADDITIONAL INFORMATION

THE WEST VIRGINIA DEPARTMENT OF TRANSPORTATION- PROCUREMENT DIVISION - THIS IS AN AGENCY ONE-TIME CONTRACT FOR Networking Cables PER THE ATTACHED DOCUMENTS. QUESTIONS REGARDING THE SOLICITATION MUST BE SUBMITTED IN WRITING TO dotprocurementtechques@wv.gov PRIOR TO THE QUESTION PERIOD DEADLINE CONTAINED IN THE INSTRUCTIONS TO VENDORS SUBMITTING BIDS.

*****NOTICE*****

WE DO NOT ACCEPT EMAIL BIDS

MUST USE ONE THE FOLLOWING TO SUBMIT A BID:

- * UPLOAD TO OASIS
- * HAND DELIVERY
- * MAIL IN HARD COPY
- * FAX 304-558-0047

MAKE SURE YOU DOWNLOAD ALL INFORMATION

THE- COMPLETE SOLICITATION-PRICING PAGES-SIGN THE PAGES THAT NEED SIGNED PLEASE NOTE THAT TO BE AWARDED THIS CONTRACT YOU WILL BE TO A REGISTER VENDOR WITH WV STATE PURCHASING, AND COMPLIANT WITH SEVERAL AGENCIES SUCH AS THE WVSOS, TAX DEPARTMENT, WORKER'S COMPENSATION, AND UNEMPLOYMENT INSURANCE

INVOICE TO		SHIP TO	
DEPT. OF TRANSPORTATION 1900 KANAWHA BLVD E, BLD. 5 RM-720		DEPT. OF TRANSPORTATION 1900 KANAWHA BLVD E, BLD. 5 RM-720	
CHARLESTON	WW	CHARLESTON	WW
US		US	

Line	Comm Ln Desc	Qty	Unit Issue	Unit Price	Total Price
1	Leviton CAT 6A High-Flex Patch Cable, Violet, (1) Ft	4275.00000	EA	\$ 2.19	\$ 9,362.25

Comm Code	Manufacturer	Specification	Model #
43202222		See specification sheets attached	

Extended Description:

3.1.1 Leviton CAT 6A High-Flex Patch Cable, Color Violet, one (1) Foot part no. H6A10-01V or equal

INVOICE TO		SHIP TO	
DEPT. OF TRANSPORTATION 1900 KANAWHA BLVD E, BLD. 5 RM-720		DEPT. OF TRANSPORTATION 1900 KANAWHA BLVD E, BLD. 5 RM-720	
CHARLESTON US	WV	CHARLESTON US	WV

Line	Comm Ln Desc	Qty	Unit Issue	Unit Price	Total Price
2	Leviton CAT 6A High-Flex Patch Cable, Yellow, (1) Ft	95.00000	EA	\$ 2.19	\$ 208.05

Comm Code	Manufacturer	Specification	Model #
43202222	See specification sheets attached		

Extended Description:
3.1.2 Leviton CAT 6A High-Flex Patch Cable, Color Yellow, (1) One Foot
part no. H6A10-1Y or equal

INVOICE TO		SHIP TO	
DEPT. OF TRANSPORTATION 1900 KANAWHA BLVD E, BLD. 5 RM-720		DEPT. OF TRANSPORTATION 1900 KANAWHA BLVD E, BLD. 5 RM-720	
CHARLESTON US	WV	CHARLESTON US	WV

Line	Comm Ln Desc	Qty	Unit Issue	Unit Price	Total Price
3	Leviton CAT 6A High-Flex Patch Cable, Yellow, (2) Ft	95.00000	EA	\$ 2.49	\$ 236.55

Comm Code	Manufacturer	Specification	Model #
43202222	See specification sheets attached		

Extended Description:
3.1.3 Leviton CAT 6A High-Flex Patch Cable, Color Yellow, (2) Two Feet
part no. H6A10-2Y or equal

INVOICE TO	SHIP TO
------------	---------

DEPT. OF TRANSPORTATION
1900 KANAWHA BLVD E,
BLD. 5 RM-720

DEPT. OF TRANSPORTATION
1900 KANAWHA BLVD E,
BLD. 5 RM-720

CHARLESTON WV
US

CHARLESTON WV
US

Line	Comm Ln Desc	Qty	Unit Issue	Unit Price	Total Price
4	Leviton Hook and Loop Wrap Bulk Roll, Color Black, (75) Ft	5.00000	EA	\$ 32.89	\$ 164.45

Comm Code	Manufacturer	Specification	Model #
43202222		Equal - See specifications sheets attached	

Extended Description:

3.1.4 Leviton Hook and Loop Wrap Bulk Roll, Color Black, (75) Seventy-five Feet part no. 43115-75 or equal

SCHEDULE OF EVENTS

Line	Event	Event Date
1	TECHNICAL QUESTIONS DUE AT 10AM	2024-04-18

EXHIBIT A - PRICING PAGE

LOCATION - CAPITOL COMPLEX, BUILDING 5, ROOM A-720 CHARLESTON, WV 25305

Specifications Reference	Contract Item Number	Description	Part Number	Quantity	Unit Cost	Extended Price Total
3.1.1	#1	Leviton CAT 6A High-Flex Patch Cable, Color Violet, one (1) Foot	H6A10-01V or equal	4275	\$2.19	\$9,362.25
3.1.2	#2	Leviton CAT 6A High-Flex Patch Cable, Color Yellow, (1) One Foot	H6A10-1Y or equal	95	\$2.19	\$208.05
3.1.3	#3	Leviton CAT 6A High-Flex Patch Cable, Color Yellow, (1) Two Feet	H6A10-2Y or equal	95	\$2.49	\$236.55
3.1.4	#4	Leviton Hook and Loop Wrap Bulk Roll, Color Black, (75) Seventy-five Feet	43115-75 or equal	5	\$32.89	\$164.45
						\$9,971.30

The Pricing Pages contain a list of the Contract Items and quantities to be purchased.
Unit Costs must include pricing for the specified Contract Item # and its mandatory components as detailed in Exhibit B Specifications.

Slim Cat6a Purple Copper Ethernet Cable, 10Gbit, 1ft

Slim Cat6a Purple Copper Ethernet Cable, 10 Gigabit, 500 MHz, Snagless/Molded Boot, POE Compliant, 1 foot



Product Description

Cat6a Purple Slim Ethernet 1 foot Patch Cable is perfect for installations that are in a tight-spot, and require a thinner cable than the typical thick Cat6a cable.

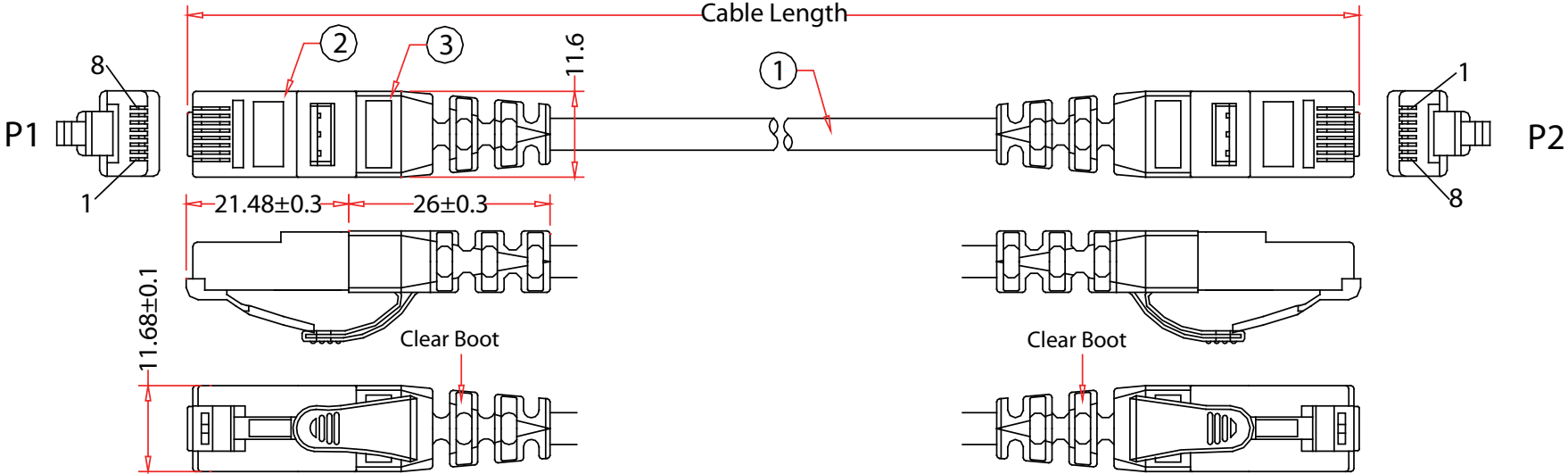
28AWG copper slim Ethernet cables are rated for both PoE / 30 watt and PoE+ / 60 watt applications with a bundle restriction of up to 12 cables.

Cat6a is the fastest Ethernet cable available on the market that meets TIA/EIA standards. The 500 Mhz performance is double that of Category 6 and five times the bandwidth capacity of Category 5e. The extra performance is ideal for Power over Ethernet (PoE) and Voice Over Internet Protocol (VoIP) applications where data loss can be seen and heard. Our Cat6a patch cables are tested for compliance with all ANSI/TIA-568.2-D Category 6a specifications.

Details

Warranty:	Lifetime
End 1:	RJ45 Male Plug
End 2:	RJ45 Male Plug
Length:	1 foot
Color:	Purple
Wire Gauge:	28 AWG
Weight:	0.07 lbs

Rev.	Description	Date
A		12-2021



Pin Assignment		
P1		P2
1	Orange	1
2	White/Orange	2
3	Green	3
6	White/Green	6
4	White/Blue	4
5	Blue	5
7	Brown	7
8	White/Brown	8

Color Options
21 Gray
22 Black
31 Orange
41 Purple
51 Green
61 Blue
71 Red
72 Pink
81 Yellow
91 White

RoHS

NOTES:

- 1.Electrical Test:
 (1)100% Open Short & Miswire Test.
 (2) Insulation Resistance 1 MΩ MIN.

Title:	Cat6a Slim Ethernet Patch Cable,Pure Copper, Clear Boot	
Drawn by:	JL	
Approved by:	MAC	
ID:	56	

No.	Specifications
3	Strain Relief: Boot assembly type, OD:4.6mm, Transparent Color PVC
2	RJ45 8P8C Plug, Body 94V-2, Pin: Phosphor Bronze 50u" Gold Plated
1	CAT6A UTP,28AWG BC x4P, Stranded ,ETL Verified, UL/CSA approved, OD:3.8±0.2mm