

PROJECT UPDATE:
Informational Workshop Public Meeting
Capon Bridge
Hampshire County, WV



West Virginia Department of Transportation
Division of Highways

State Project S314-50-31.02
Federal Project STP-0050(318)D



Capon Bridge Elementary School
99 Capon School Street
Capon Bridge, WV
Thursday, October 26, 2017
4:00pm to 7:00pm

**CAPON BRIDGE
STATE PROJECT S314-50-31.02
FEDERAL PROJECT STP-0050(318)D**

WORKSHOP PURPOSE

The purpose of this Informational Workshop Public Meeting is a follow up to the April 5, 2017 public meeting to announce the preferred renovation Alternative #3. The workshop is intended to be informal to maximize the interaction between the citizens and project team.

We encourage you to examine the project maps and displays, discuss the project with the members of our project team who are here today, and complete the enclosed comment sheet.

WORKSHOP FORMAT

The WVDOH procedures for public workshops are established to ensure meaningful citizen input in the development for proposed projects, in compliance with all applicable regulations and requirements. This informational workshop public meeting is from 4:00pm to 7:00pm and there will be **NO FORMAL PRESENTATION**.

Registration

If you have not already printed your name and address on the registration sheet, please remember to do so before you leave. Additional copies of this handout and the comment sheet are available at the registration table. The WVDOH welcomes your comments on the project; therefore, please feel free to write comments as you visit other displays around the room. You can drop the completed sheet in the Comment Box; return it to any WVDOH representative at the meeting, or mail it to the WVDOH at the address below or on the WVDOH Website at <http://go.wv.gov/dotcomment>, under Engineering Projects/Capon Bridge.

Environmental Studies

Representatives from the WVDOH are here today to discuss the environmental study process. Maps depicting the proposed project location are available for viewing. This meeting complies with the public involvement requirements of the National Environmental Policy Act (NEPA) and Section 106 of the National Preservation Act.

Engineering

Representatives from the WVDOH are available to discuss the Preferred Renovation Alternative #3.

Right-of-Way

WVDOH Right-of-Way representatives are available to answer your questions regarding any right-of-way acquisitions.

PROJECT DESCRIPTION

The existing Capon Bridge is located on US Route 50 over the Cacapon River in Capon Bridge, Hampshire County. The bridge is located approximately 0.12 miles east of the intersection of County Route 15 and US Route 50. The existing structure has an average daily traffic (ADT) count of 7,370 vehicles per day (VPD) recorded in 2015 with a 20 year projected ADT of 9,710 vehicles per day.

The bridge was fabricated by Wheeling Structural Steel Company and erected in 1933 by ER Mills, consists of a simple span steel through truss (SSTT) structure and has a span length of 180 feet.

Four alternatives and a no-build option were originally studied. Due to overwhelming support from the public, Alternative #3 has been chosen as the Preferred Alternative. See plan sheets for details.

- **Alternative #3 (Renovation – temporary detour)** consists of renovating the Capon Bridge while utilizing a temporary detour bridge. **Total cost is \$3,499,910.**

CURRENT PROJECT SCHEDULE

Public Information Workshop.....October 26, 2017

Public Meeting Comments Due By.....November 27, 2017

***Environmental Clearance.....February 2018**

***Right of Way Activities to begin.....October 2018**

***Construction to begin.....October 2019**

***All dates are subject to change**

COMMENTS

Please send written comments on or before Monday, November 27, 2017 to:

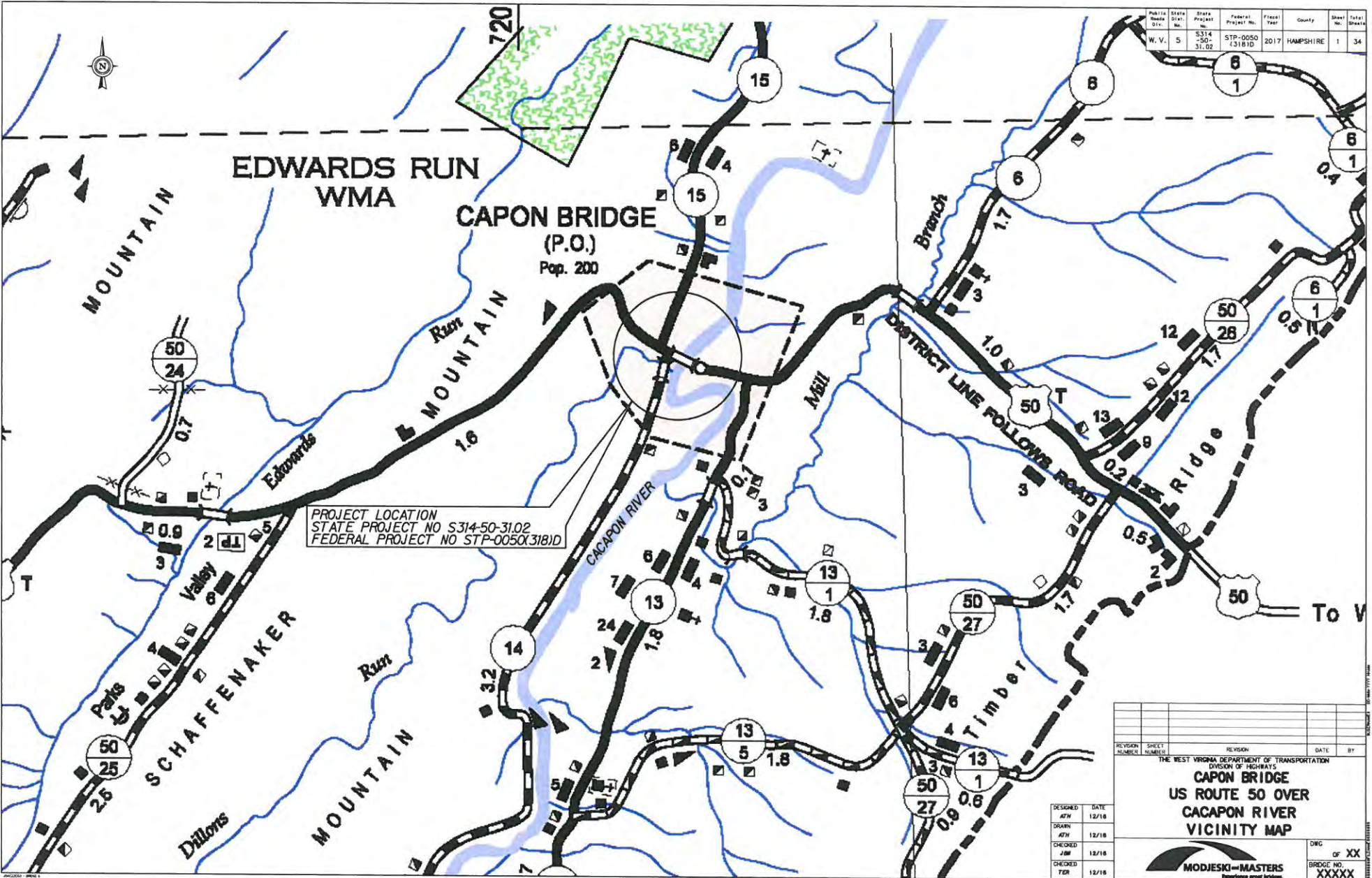
**Mr. R.J. Scites, P.E., Director, Engineering Division
West Virginia Division of Highways
1334 Smith Street,
Charleston, West Virginia 25301**

Project Information and Comment Sheets can be found online at our web page:

<http://go.wv.gov/dotcomment>

**Click on “Comment on Engineering Project”, then “Open”,
And then click on “Capon Bridge”.**

Public	State	State	Federal	Fiscal	County	Sheet	Total
W. V.	5	S314	STP-0050	2017	HAMPSHIRE	1	34
Route	Dist.	Project	Project	Year		No.	Sheets
5		S314	STP-0050	2017		1	34
			13181D				



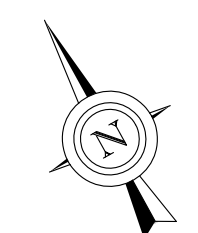
PROJECT LOCATION
 STATE PROJECT NO S314-50-31.02
 FEDERAL PROJECT NO STP-0050(3181D)

REVISION NUMBER	SHEET NUMBER	REVISION	DATE	BY

THE WEST VIRGINIA DEPARTMENT OF TRANSPORTATION
 DIVISION OF HIGHWAYS
CAPON BRIDGE
US ROUTE 50 OVER
CACAPON RIVER
VICINITY MAP

DESIGNED	DATE
ATH	12/18
DRAWN	12/18
ATH	12/18
CHECKED	12/18
JJM	12/18
CHECKED	12/18
TER	12/18

MODJESKI-MASTERS
 Experience great bridges.
 DWG NO. **XXXXX**
 OF **XX**



3/28/2017

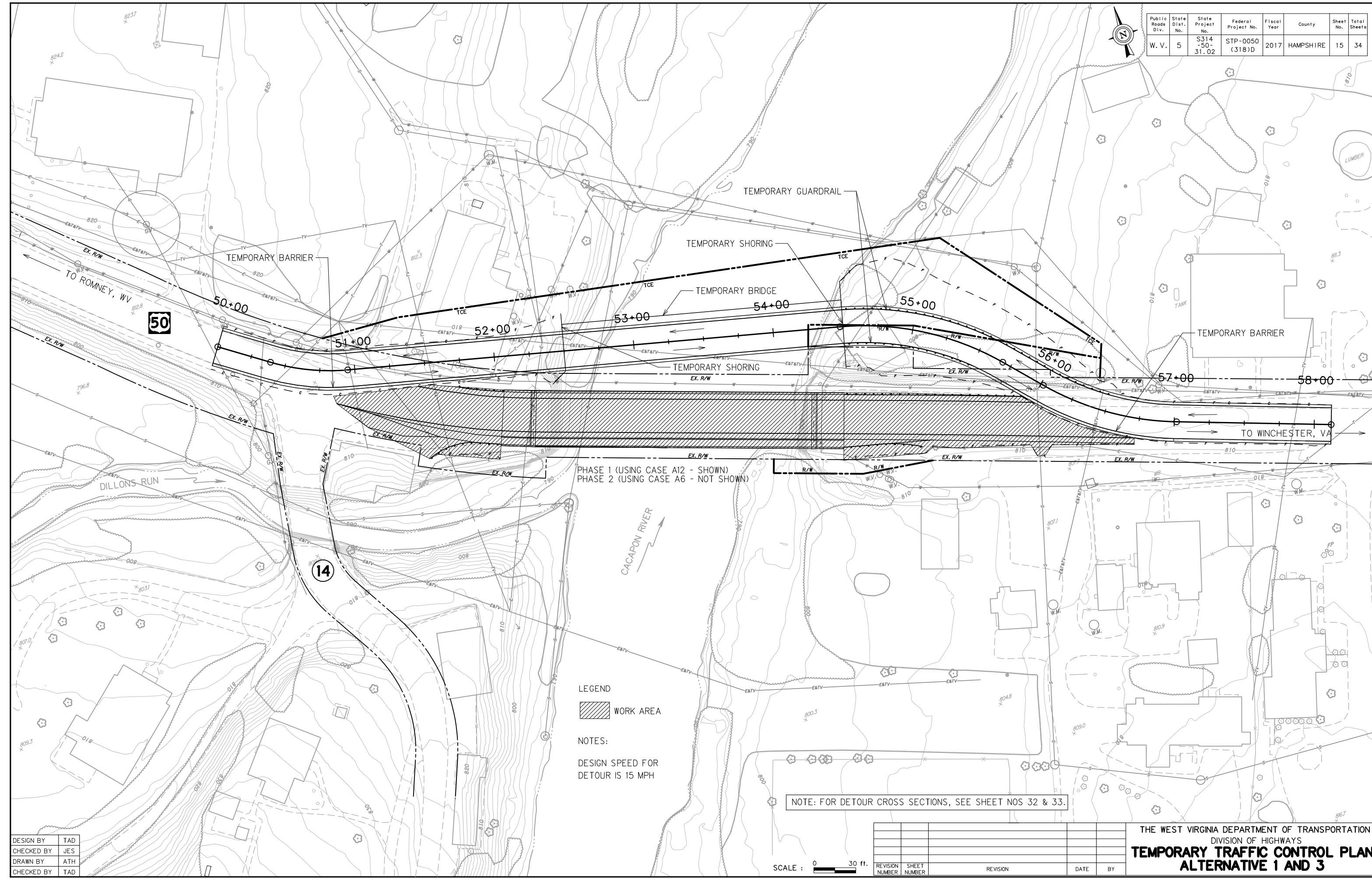
THE WEST VIRGINIA DEPARTMENT OF TRANSPORTATION
DIVISION OF HIGHWAYS

ALTERNATIVE 3 PLAN SHEET

SCALE 0 50 ft.

REVISION NUMBER	SHEET NUMBER	REVISION	DATE	BY

Public Roads Div.	State Dist. No.	State Project No.	Federal Project No.	Fiscal Year	County	Sheet No.	Total Sheets
W. V.	5	S314-50-31.02	STP-0050 (318)D	2017	HAMPSHIRE	15	34



PHASE 1 (USING CASE A12 - SHOWN)
 PHASE 2 (USING CASE A6 - NOT SHOWN)

LEGEND
 WORK AREA

NOTES:
 DESIGN SPEED FOR
 DETOUR IS 15 MPH

NOTE: FOR DETOUR CROSS SECTIONS, SEE SHEET NOS 32 & 33.

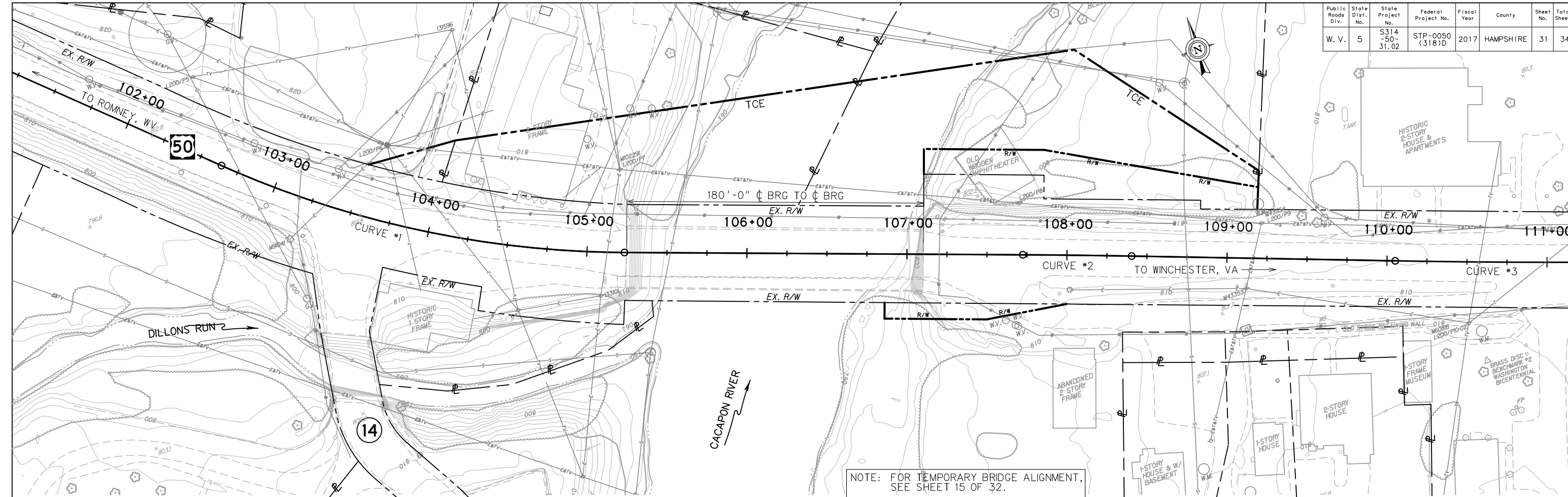
SCALE : 0 30 ft.

REVISION NUMBER	SHEET NUMBER	REVISION	DATE	BY

THE WEST VIRGINIA DEPARTMENT OF TRANSPORTATION
 DIVISION OF HIGHWAYS
**TEMPORARY TRAFFIC CONTROL PLAN
 ALTERNATIVE 1 AND 3**

DESIGN BY	TAD
CHECKED BY	JES
DRAWN BY	ATH
CHECKED BY	TAD

Public Roads Div.	State Dist. No.	State Project No.	Federal Project No.	Fiscal Year	County	Sheet No.	Total Sheets
W. V.	5	S314-50-31.02	STP-0050 (318)D	2017	HAMPSHIRE	31	34



NOTE: FOR TEMPORARY BRIDGE ALIGNMENT, SEE SHEET 15 OF 32.

MAINLINE CURVE # 1

PI = STA. 103+95.62
 $\Delta C = 23^\circ 39' 57.53''$ LT
 DC = $09^\circ 07' 24.71''$
 R = 628.00'
 L = 259.39'
 T = 131.57'

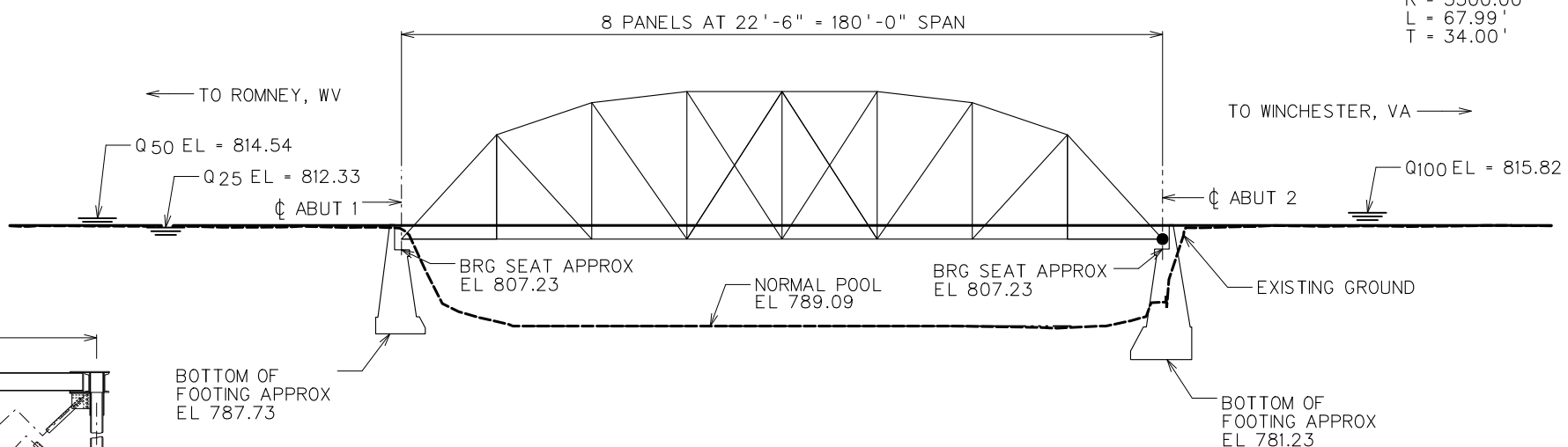
PLAN
 SCALE: 1" = 30'-0"

MAINLINE CURVE # 2

PI = STA. 108+06.39
 $\Delta C = 00^\circ 42' 29.94''$ RT
 DC = $01^\circ 02' 30.27''$
 R = 5500.00'
 L = 67.99'
 T = 34.00'

MAINLINE CURVE # 3

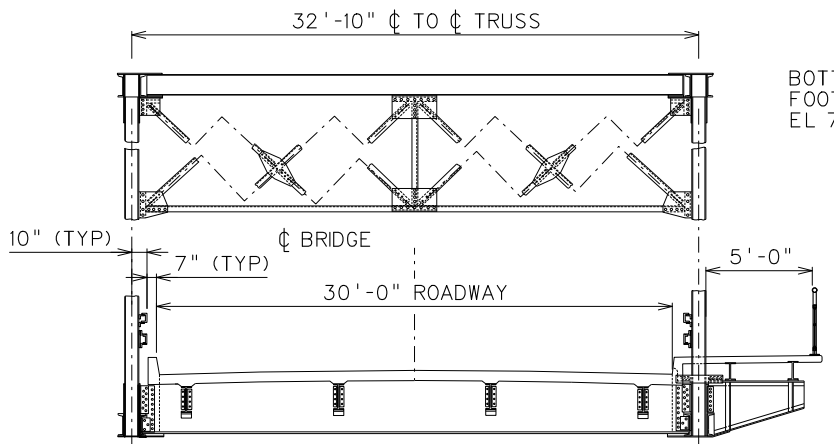
PI = STA. 110+84.10
 $\Delta C = 01^\circ 38' 41.59''$ LT
 DC = $01^\circ 02' 30.27''$
 R = 5500.00'
 L = 157.90'
 T = 78.95'



ELEVATION
 SCALE: 1" = 20'-0"

HYDRAULIC DATA

DA = 368.70 SQ MI
 Q₂₅ = 34,438 CFS
 Q₁₀₀ = 52,774 CFS
 V₂₅ = 4.25 FT/S
 Q₂₅ HW ELEV = 812.33



TYPICAL SECTION
 SCALE: NONE

DESIGNED	DATE	REVISION	DATE	BY
JBN	12/16			
DRAWN	DATE			
ATH	12/16			
CHECKED	DATE			
JBN	12/16			
CHECKED	DATE			
TER	12/16			

THE WEST VIRGINIA DEPARTMENT OF TRANSPORTATION
 DIVISION OF HIGHWAYS

CAPON BRIDGE
US ROUTE 50 OVER
CACAPON RIVER
GENERAL PLAN & ELEVATION - ALT. 3

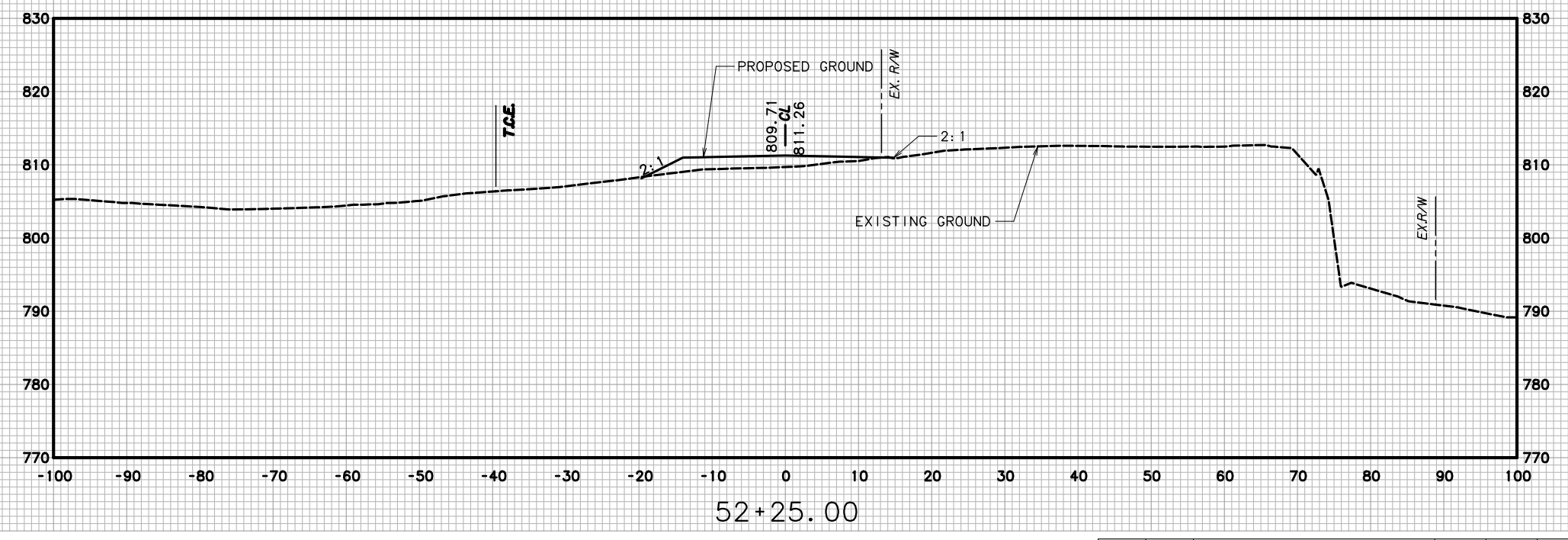
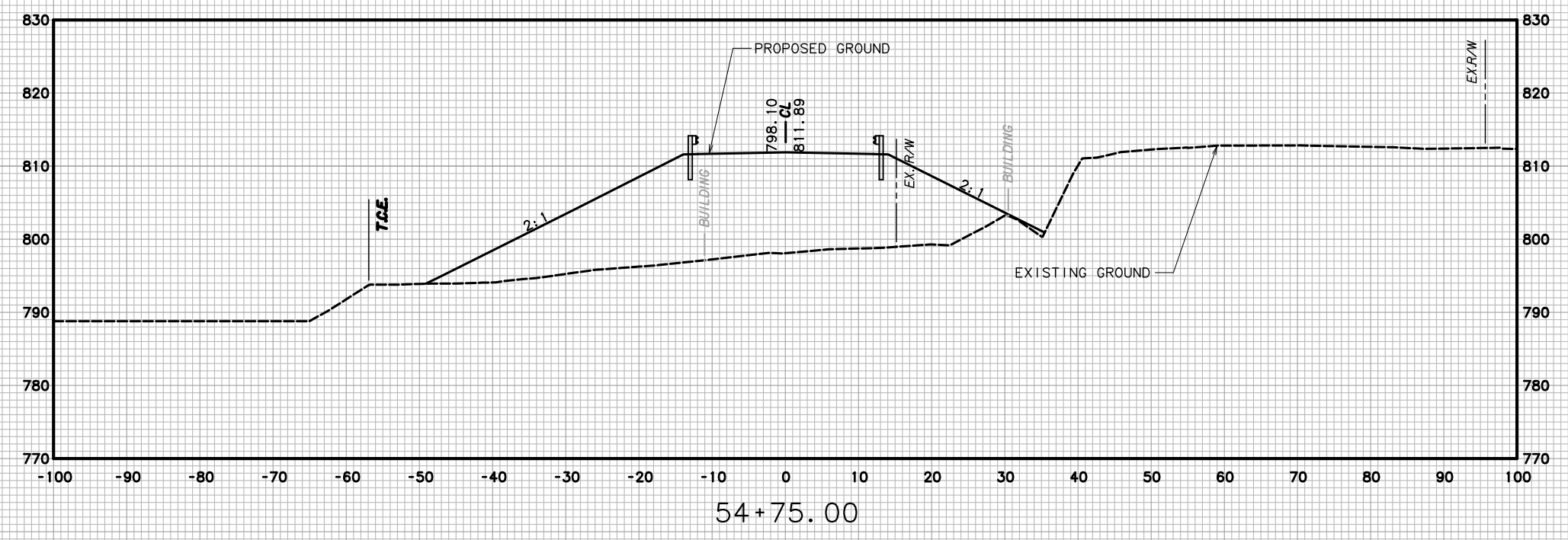
DESIGNED BY: JBN
 DRAWN BY: ATH
 CHECKED BY: JBN
 CHECKED BY: TER

DATE: 12/16

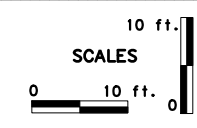
DWG OF XX
 BRIDGE NO. XXXXX

MODJESKI and MASTERS
 Experience great bridges.

Public Roads Div.	State Dist. No.	State Project No.	Federal Project No.	Fiscal Year	County	Sheet No.	Total Sheets
W. V.	5	S314-50-31.02	STP-0050 (318)D	2017	HAMPSHIRE	32	34



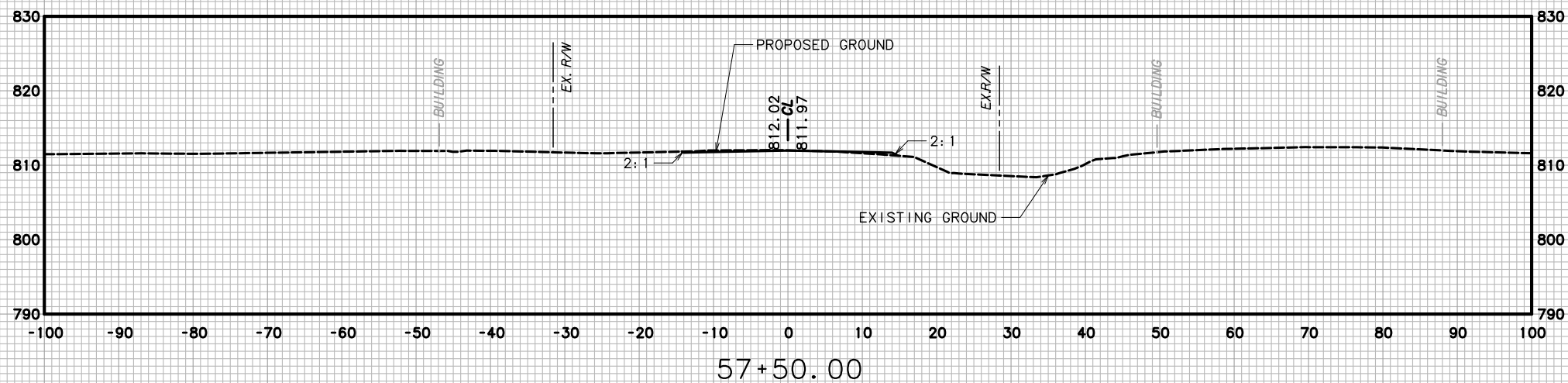
DESIGN BY	TAD
CHECKED BY	JES
DRAWN BY	TAD
CHECKED BY	JES



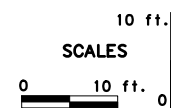
REVISION NUMBER	SHEET NUMBER	REVISION	DATE	BY

THE WEST VIRGINIA DEPARTMENT OF TRANSPORTATION
 DIVISION OF HIGHWAYS
DETOUR CROSS SECTION

Public Roads Div.	State Dist. No.	State Project No.	Federal Project No.	Fiscal Year	County	Sheet No.	Total Sheets
W. V.	5	S314-50-31.02	STP-0050 (318)D	2017	HAMPSHIRE	33	34



DESIGN BY	TAD
CHECKED BY	JES
DRAWN BY	TAD
CHECKED BY	JES



REVISION NUMBER	SHEET NUMBER	REVISION	DATE	BY

THE WEST VIRGINIA DEPARTMENT OF TRANSPORTATION
 DIVISION OF HIGHWAYS
DETOUR CROSS SECTION

DATE:

Mr. RJ Scites, P.E.
Director, Engineering Division
West Virginia Division of Highways
1334 Smith Street
Charleston, West Virginia 25301

DATE: October 26, 2017
LOCATION: Capon Bridge Elementary School
SUBJECT: INFORMATIONAL WORKSHOP PUBLIC MEETING
PROJECT: Capon Bridge
State Project #S314-50-31.02
Federal Project #STP-0050(318)D
Hampshire County

COMMENTS DUE BY November 27, 2017

Please consider the following comments:

(Please print the following information)

NAME:

ADDRESS:

ORGANIZATION (IF ANY):

How did you hear about the Informational Workshop Public Meeting?

Project Information and Comment Sheets

Can be found online at our WVDOH Website at <http://go.wv.gov/dotcomment>.

Under Engineering Projects, Open, and then click Capon Bridge.