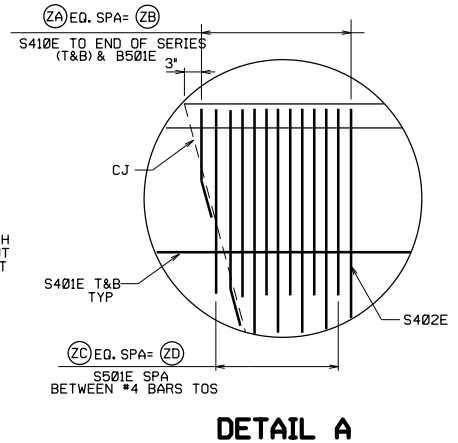
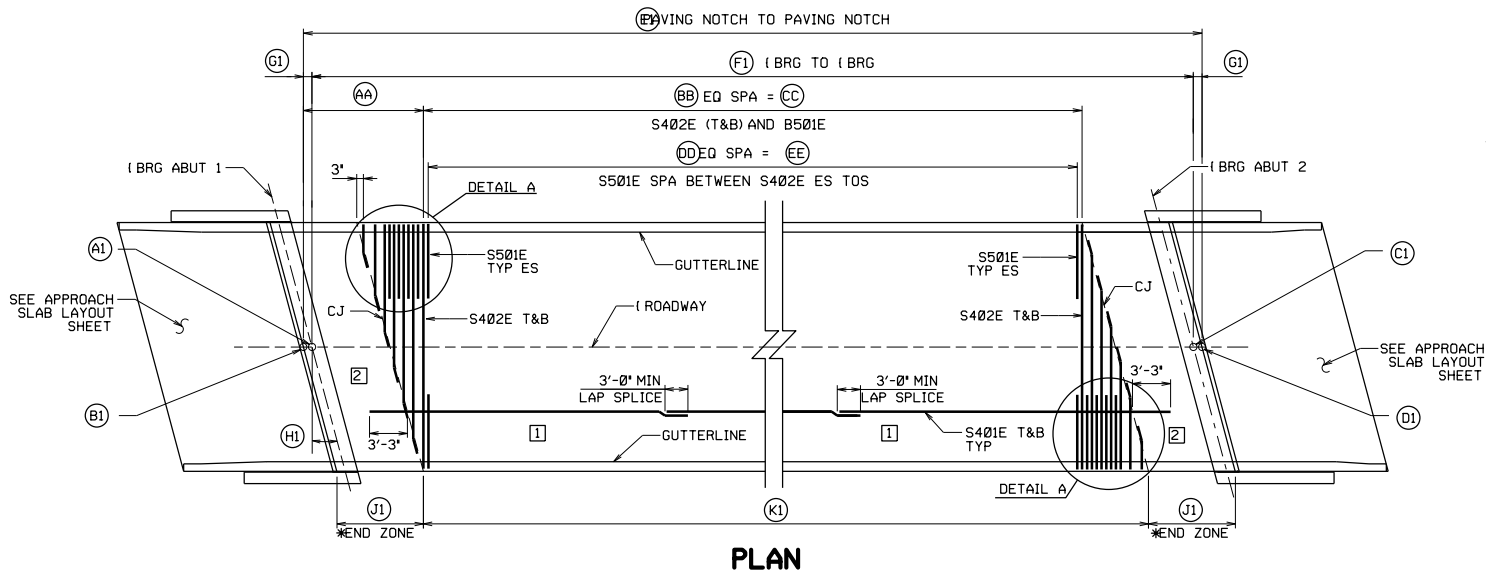


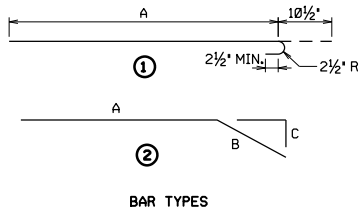
PRINT DATE  
14-JUL-2020 06:26



DECK CONTROL DIMENSIONS		
CODE	DESCRIPTION	DIMENSION
A1	WP 1 (STATION)	
B1	BEGIN BRIDGE STATION	
C1	WP 2 (STATION)	
D1	END BRIDGE STATION	
E1	LENGTH PAVING NOTCH TO PAVING NOTCH	
F1	LENGTH (BEARING TO (BEARING	
G1	DISTANCE PAVING NOTCH TO WP	
H1	SKREW	
J1	LENGTH OF END ZONE	
K1	LENGTH BETWEEN END ZONES	

REBAR CONTROL DIMENSIONS		
CODE	DESCRIPTION	DIMENSION
AA	DISTANCE BETWEEN PAVING NOTCH AND DECK S402E REBAR IN POUR SEQUENCE 1	
BB	NUMBER OF EQUAL SPACES FOR TOP AND BOTTOM TRANSVERSE REBAR	
CC	DISTANCE OF TOP AND BOTTOM TRANSVERSE REBAR	
DD	NUMBER OF EQUAL SPACES FOR TOP OVERHANG REBAR BETWEEN TRANSVERSE REBAR	
EE	DISTANCE OF OVERHANG REBAR	

REBAR CONTROL DIMENSIONS FOR DETAIL A		
CODE	DESCRIPTION	DIMENSION
ZA	NUMBER OF EQUAL SPACES FOR TOP AND BOTTOM TRANSVERSE REBAR	
ZB	DISTANCE OF TOP AND BOTTOM TRANSVERSE REBAR	
ZC	NUMBER OF EQUAL SPACES FOR TOP OVERHANG REBAR BETWEEN TRANSVERSE REBAR	
ZD	DISTANCE OF TOP AND BOTTOM TRANSVERSE REBAR	



\* SEE END ZONE LAYOUT SHEET  
□ POUR SEQUENCE NUMBER

BILL OF REINFORCING STEEL						
LONGITUDINAL STEEL						
MARK	TYPE	NUMBER	LENGTH	A	B	C
S401E	STR					
TRANSVERSE STEEL						
MARK	TYPE	NUMBER	LENGTH			
S402E	STR					
S501E	1					
B501E	SEE BARRIER DETAIL SHEET					
S410E	TO	2				

NOT TO SCALE

ADDITIONAL DETAILS NEEDED	
SERIES	SHEET NUMBER
1300	

NO.	REVISION	DATE	BY

WEST VIRGINIA DEPARTMENT OF TRANSPORTATION  
DIVISION OF HIGHWAYS

DESIGNED	DATE	CHECKED	DATE
DRAWN	DATE	REVIEWED	DATE

STANDARD BRIDGE PLANS  
**DECK LAYOUT RF SKEW**  
SHEET NUMBER 1200DK2